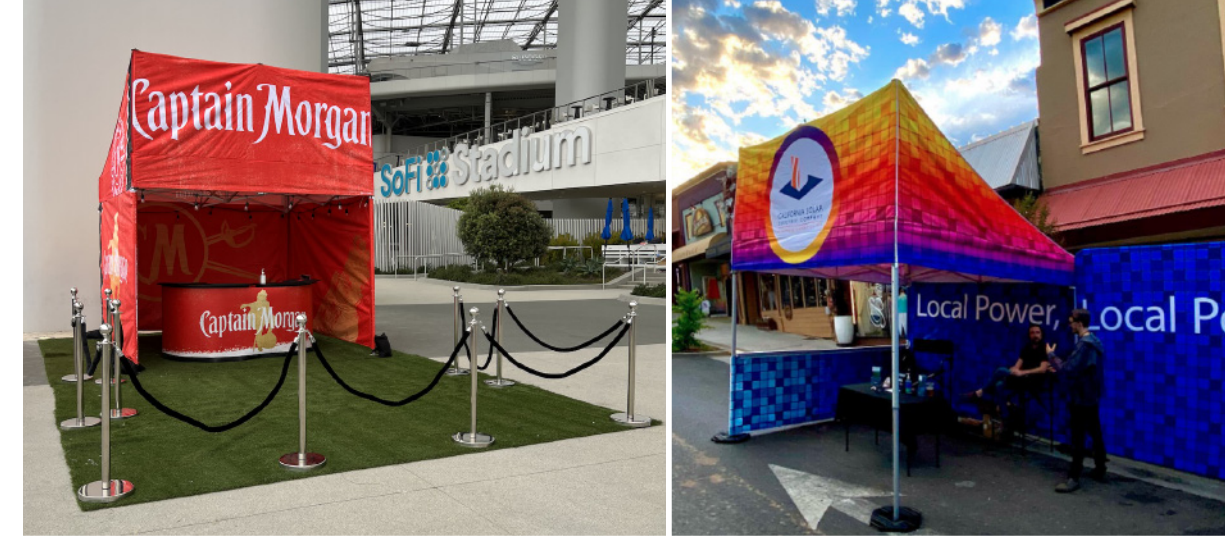
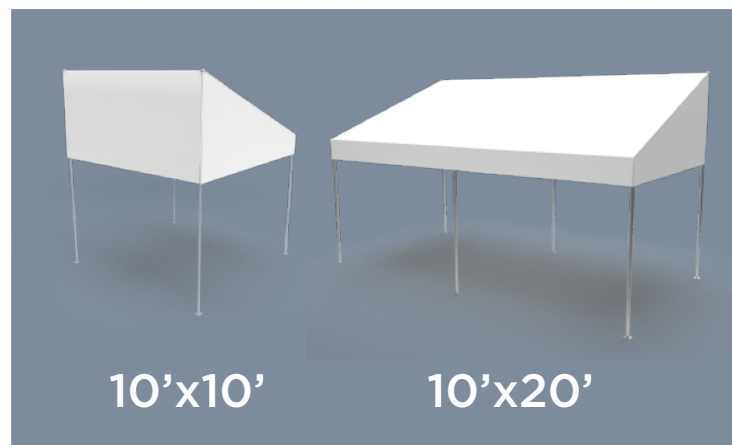


MONARCHSTOREFRONT *SPECS*

The MONARCHSTOREFRONT is a 2-in-1 design that gives businesses versatility depending on the location of their event. You can set up the tent to feature a large billboard with ample real estate for branding or push the tall, flat side against a wall for a striking branded slope. Whatever you choose, your custom event canopy will definitely stick out in a crowd of plain tents.



TRANSPORT BAG INCLUDED!



Size	Head Clearance	Peak Height	Packed Dimensions <small>(in inches)</small>	Weight**
10'x10'	6'8"	11'10"	18x18x108	83lb
10'x20'	6'8"	11'10"	18x36x108	144lb

**"Weight" is tent frame and canopy.