



TentCraft

20x20 Frame Tent Instructions

20x20 Frame Tent Parts List



114.5" Perimeter Pole x8



107.25" Leg Pole x4



Perimeter Pole Coupler x4



94.52" Peak Pole Assembly x1



Cable Assembly x2



36" Ground Stake x4



3-Way Connector x4



Foot x4

Not Pictured:
Outguy Ratchet Strap x4
Top Tie Down Strap x4

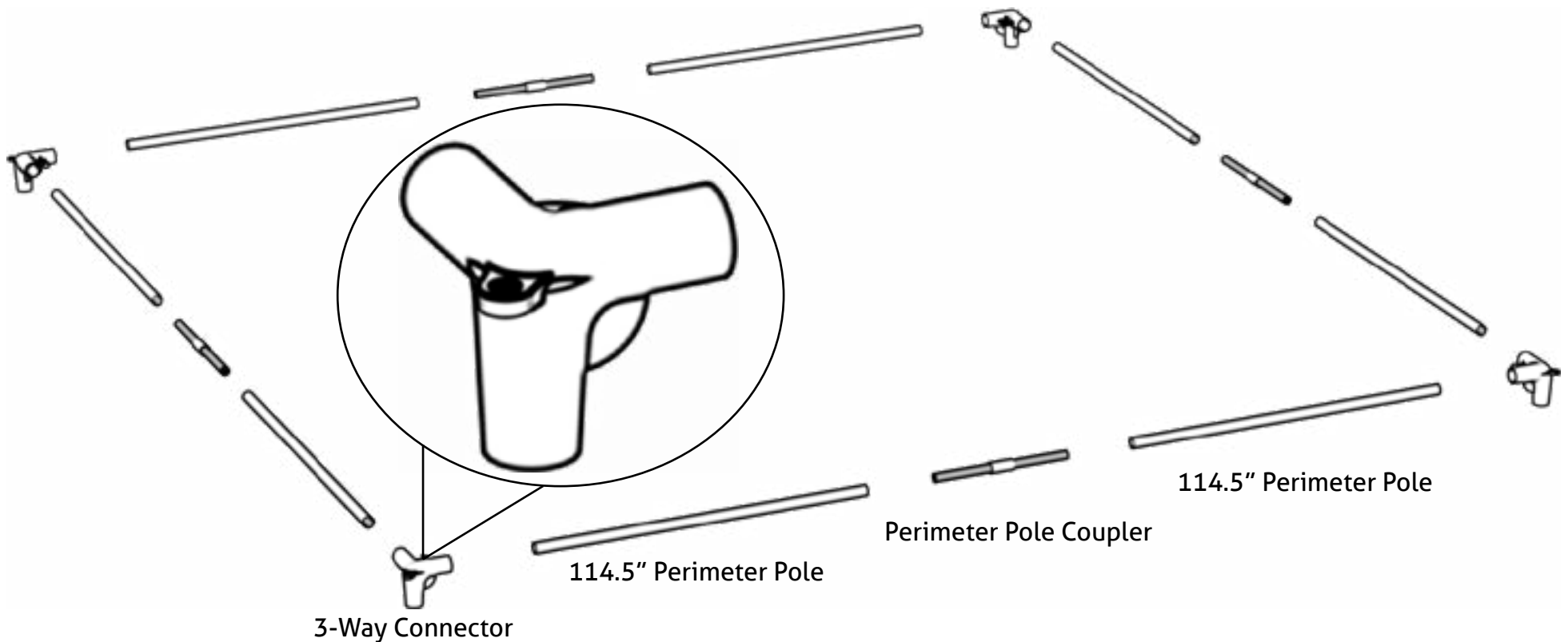
Thank you for purchasing your 20x20 E-Series Frame Tent from TentCraft, an American manufacturer and Veteran Owned Small Business (VOSB). In the event that you have any questions or need assistance with your Frame Tent, please contact your sales rep or you can reach us at (877) 922-8450.

Step 1:

Carefully inspect the tent site for obstacles, such as: underground and overhead wires, pipes, water, etc. If you are unsure, consult with your local utility company prior to installation.

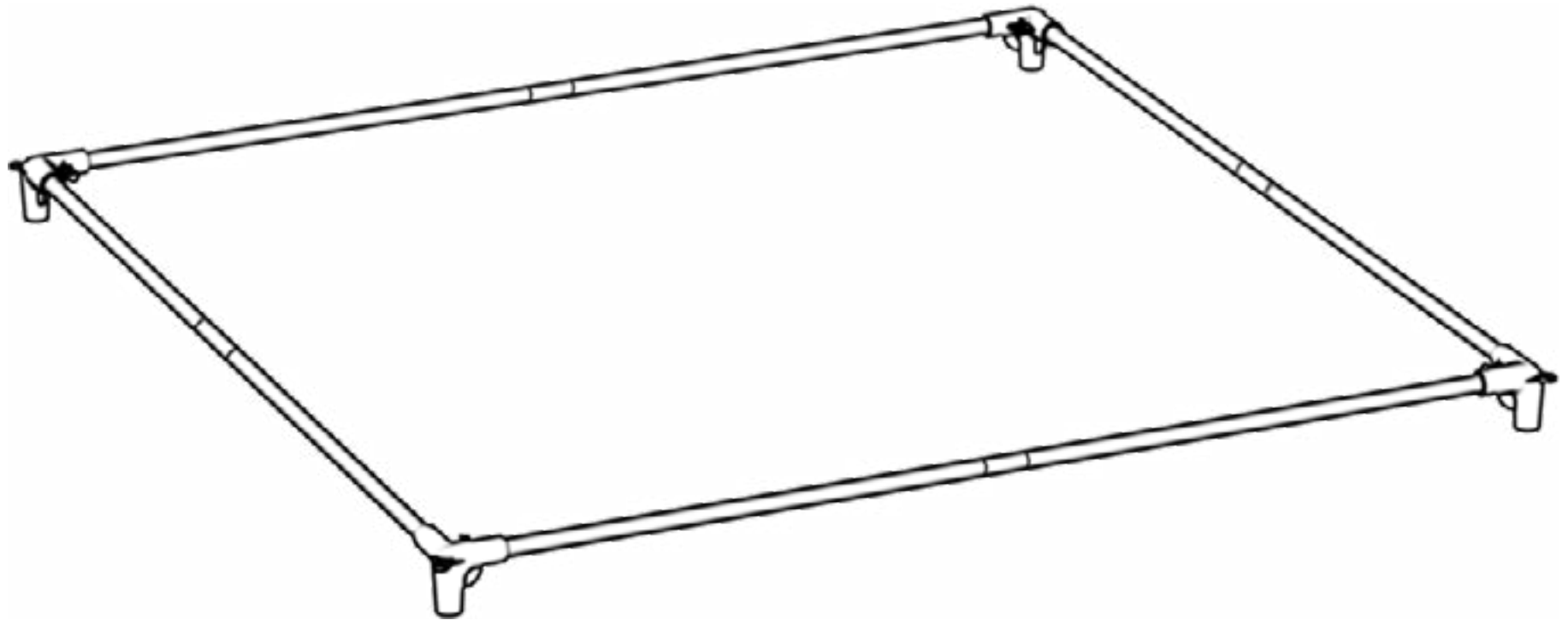
Step 2:

Lay out the tent pieces first by placing the 3-Way Connector at each corner. Place two 114.5" Perimeter Poles with a Perimeter Pole Coupler between two adjacent 3-Way Connectors. Repeat for each side until a square shape is created. Reference the diagram below for assembly. Do not install legs at this time.



Step 3:

Begin assembly of the frame by inserting the Perimeter Pole Couplers into the Perimeter Poles. Then connect the assembled Perimeter Poles into the 3-Way Connectors. Continue this process until the perimeter framework is assembled.



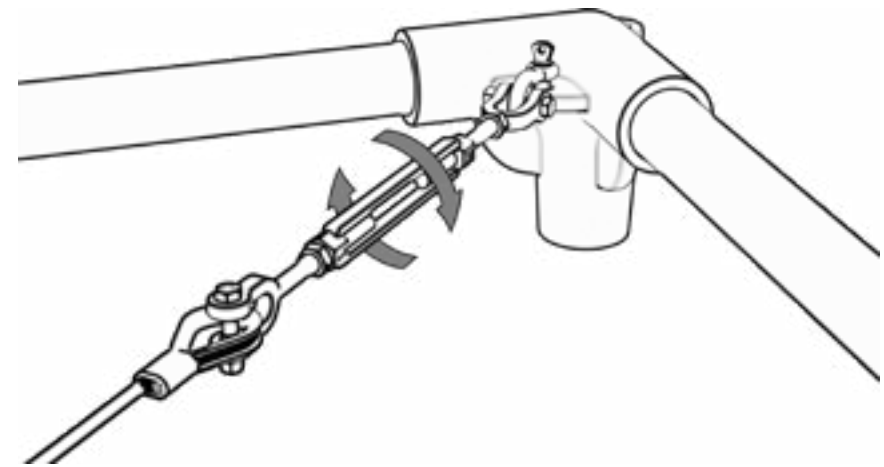
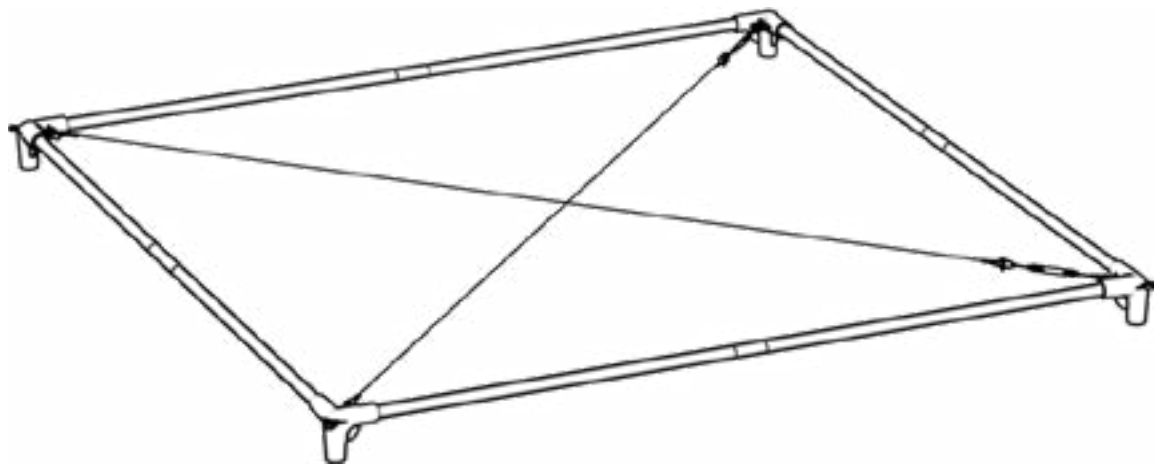
Step 4:

Attach the Cable Assembly to opposite corners of the structure per the diagram below. When you bolt and u-shaped bracket to the 3-way connectors, you need to make sure you insert the bolt first through the unthreaded side of the u-shaped bracket, then through the hole and into the threaded side of the u-shaped bracket so it can tighten properly. If you first try to insert the bolt through the threaded part, you won't be able to get through the other side and it will stop after a few turns.

Use the Turnbuckle on the cables to tighten them. In order to keep your tent square and to assure proper tension, gradually tighten each Turnbuckle. It helps to partially tighten one and then partially tighten the other and repeat until each Cable Assembly is fully tightened.

Note: The bottom cable should be between 4 ½ " to 4 ¾ " off of the ground (in a level ground situation). Anything under 4 ½ " will cause the Peak Pole Assembly to sag and can cause damage to your frame and canopy.

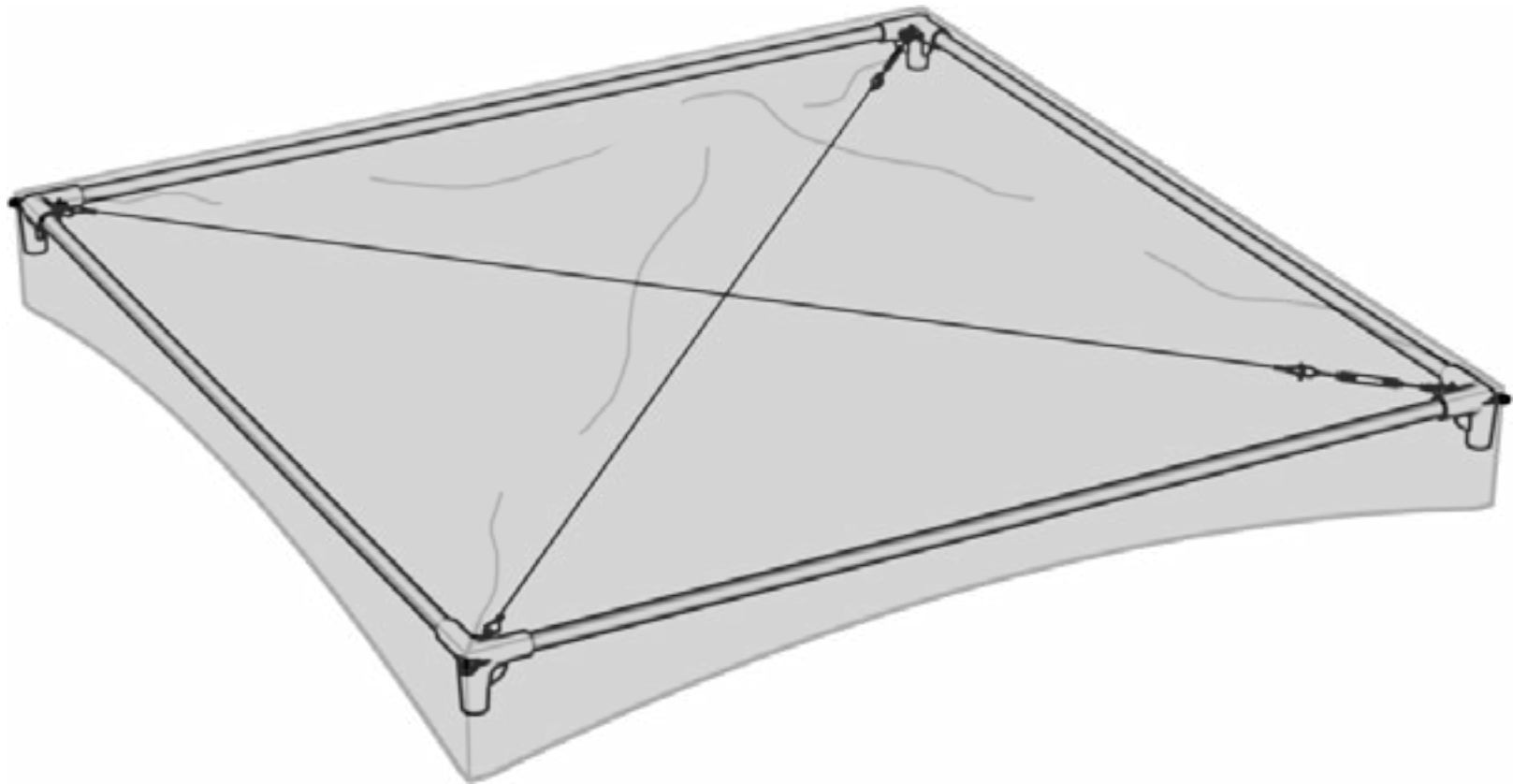
Caution! Over-tensioning will cause the Perimeter Poles to bow in towards the center of the tent.



Step 5:

Unroll the vinyl canopy top across the frame making sure the extra peak material is centered on top of the frame. Stretch the corner webbing loops (sewn into the tent corners) over the cast hook on the outside of the 3-Way Connector.

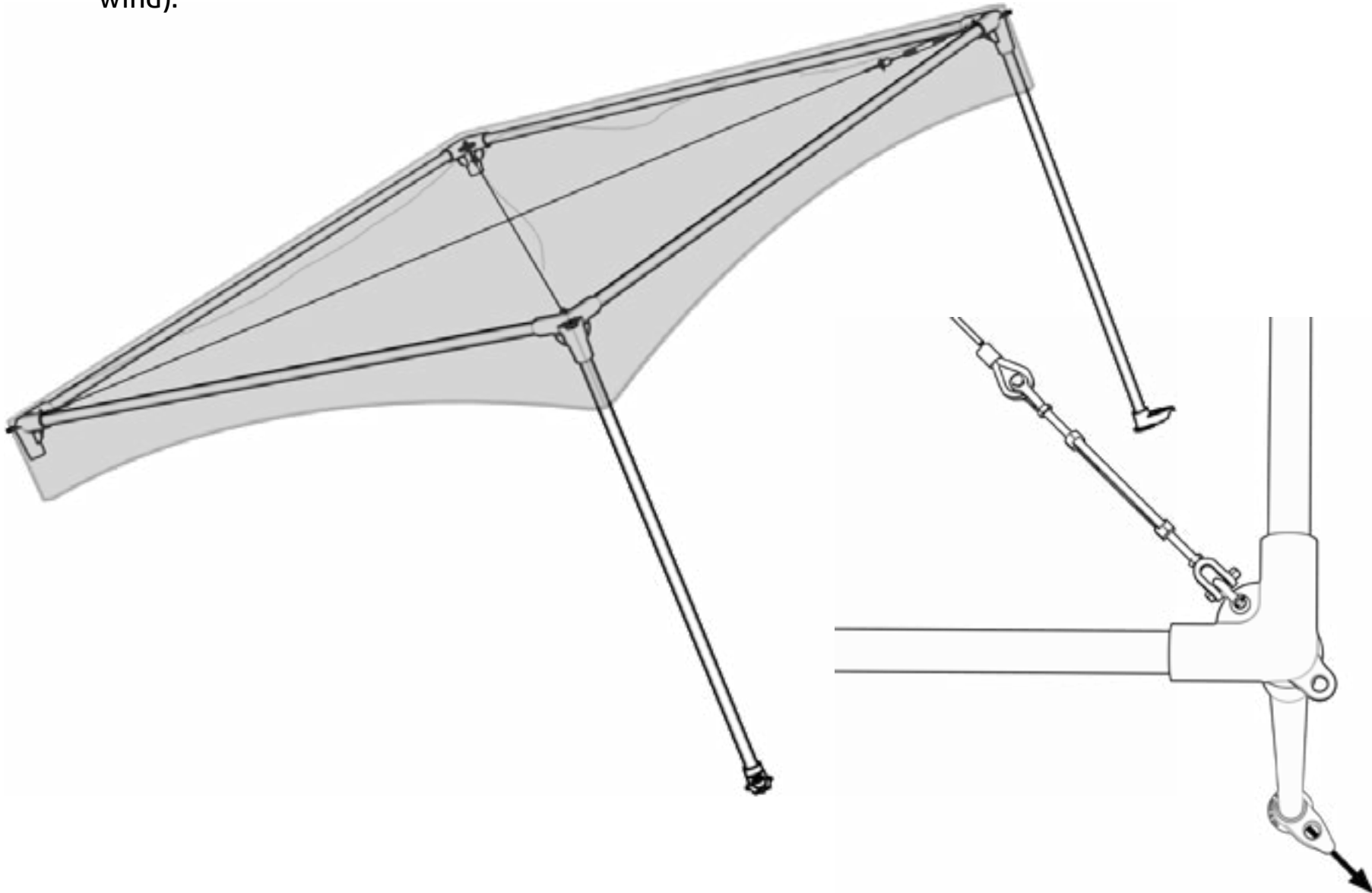
Note: the last corner may be difficult to stretch over the corner hook, especially in cold conditions



Step 6:

Attach the Feet to two Leg Poles. Then install the two Leg Poles to the two adjacent 3-Way Connectors by raising the frame on one side. Make sure that the hook on the Feet are pointing outward and in-line with the 3-Way Connector hook.

Note: It is important to note the wind direction at this point and lift the legs opposite the direction of the wind).



Step 7:

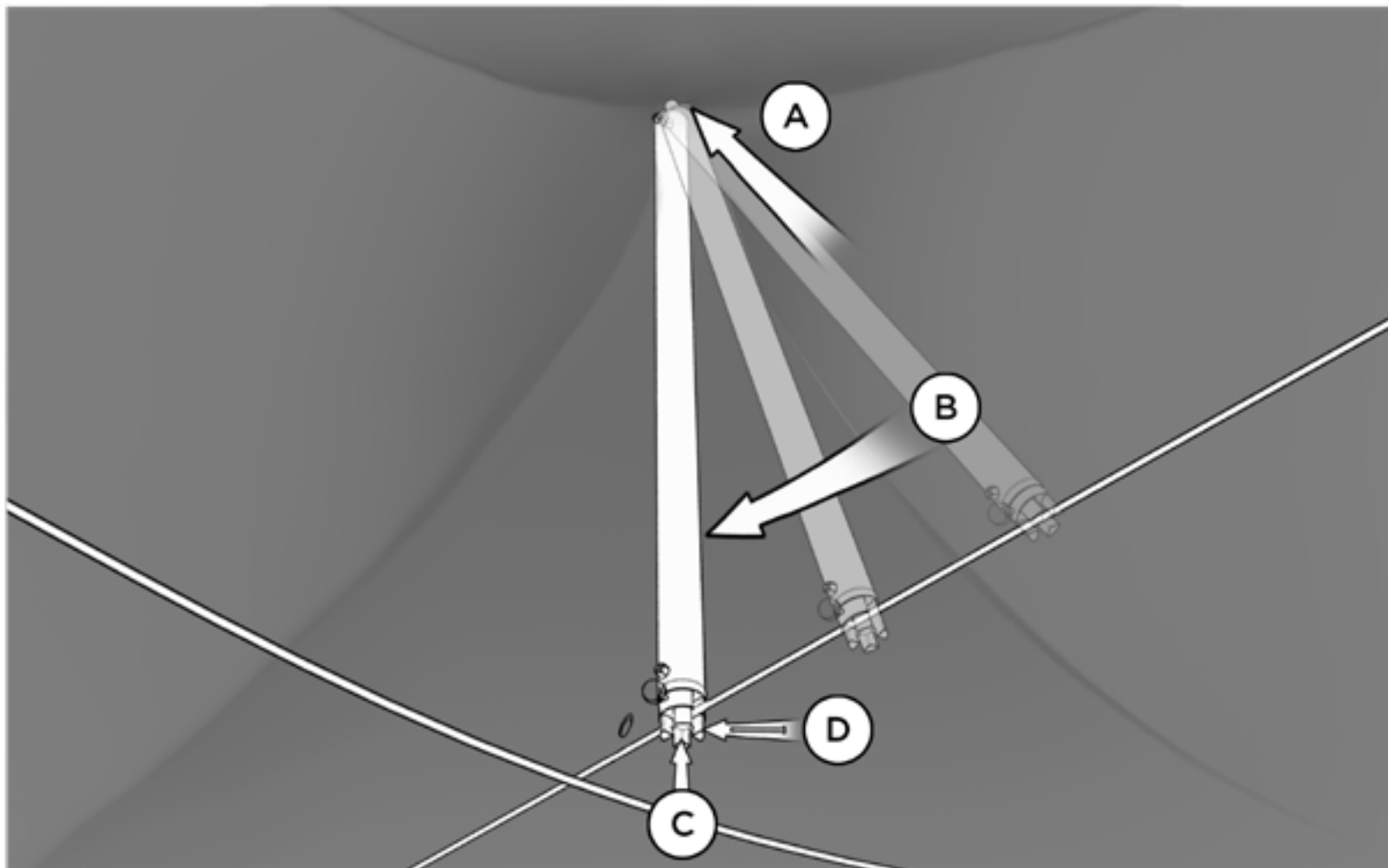
Locate the Peak Pole Assembly and release the Bottom Stainless Steel Cotter Ring and pull the entire Pin out. Do not remove the top Pin (this is the Pin with the Spacer).

Part A: Insert the Peak Pole Crown end into the Grommet at the peak of the canopy. Then place the Spacer Pin end on the top cable (it's ok if this is at an angle to start, it doesn't need to be exactly at center, yet).

Part B: Then slide the Peak Pole Assembly towards the intersection of the cables.

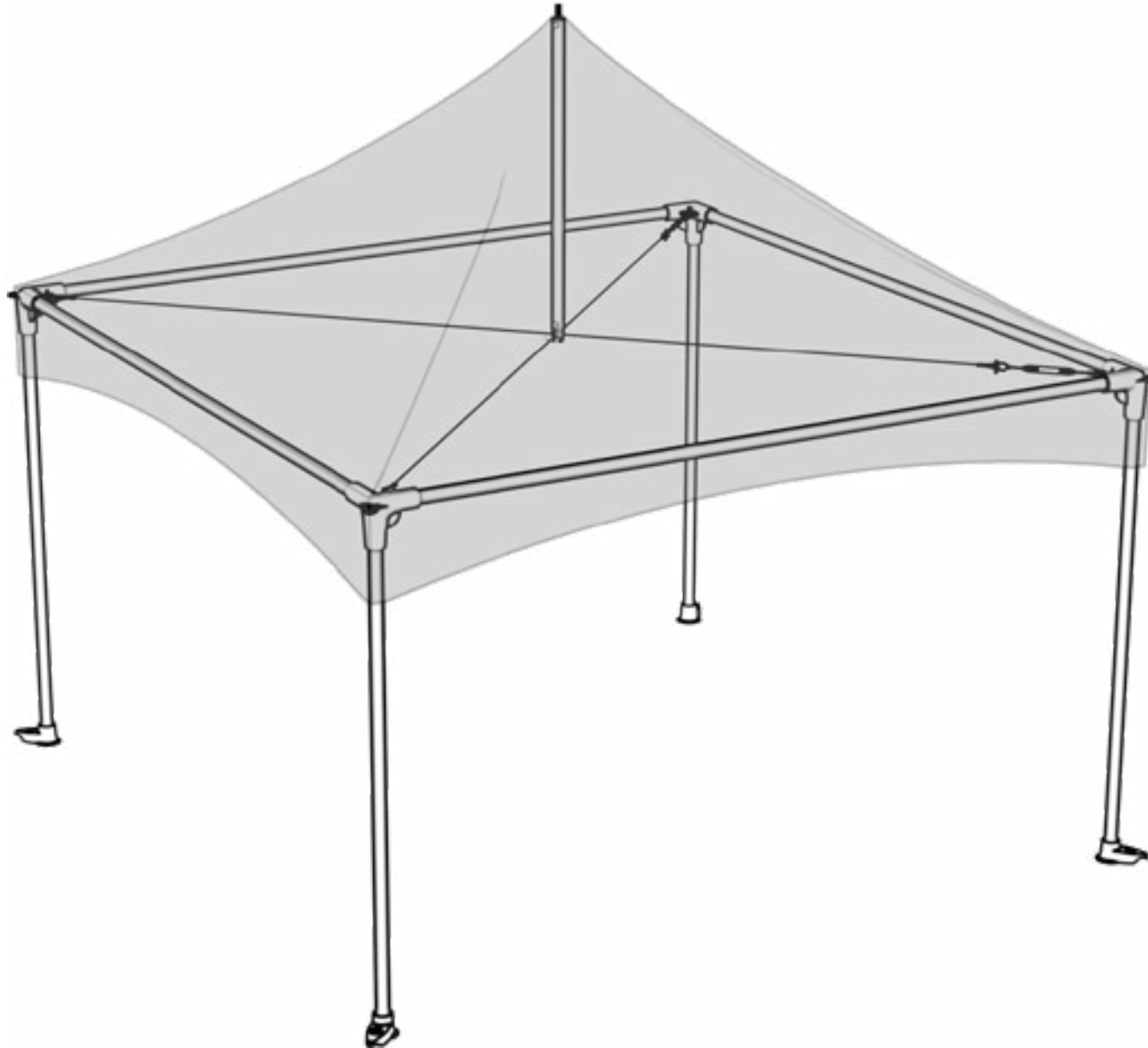
Part C: Once the Peak Pole Assembly is close to the center (or nearly centered) push down the bottom cable to lock it in place.

Part D: After it's centered, insert the Pin and attach the Bottom Stainless Steel Cotter Ring.



Step 8:

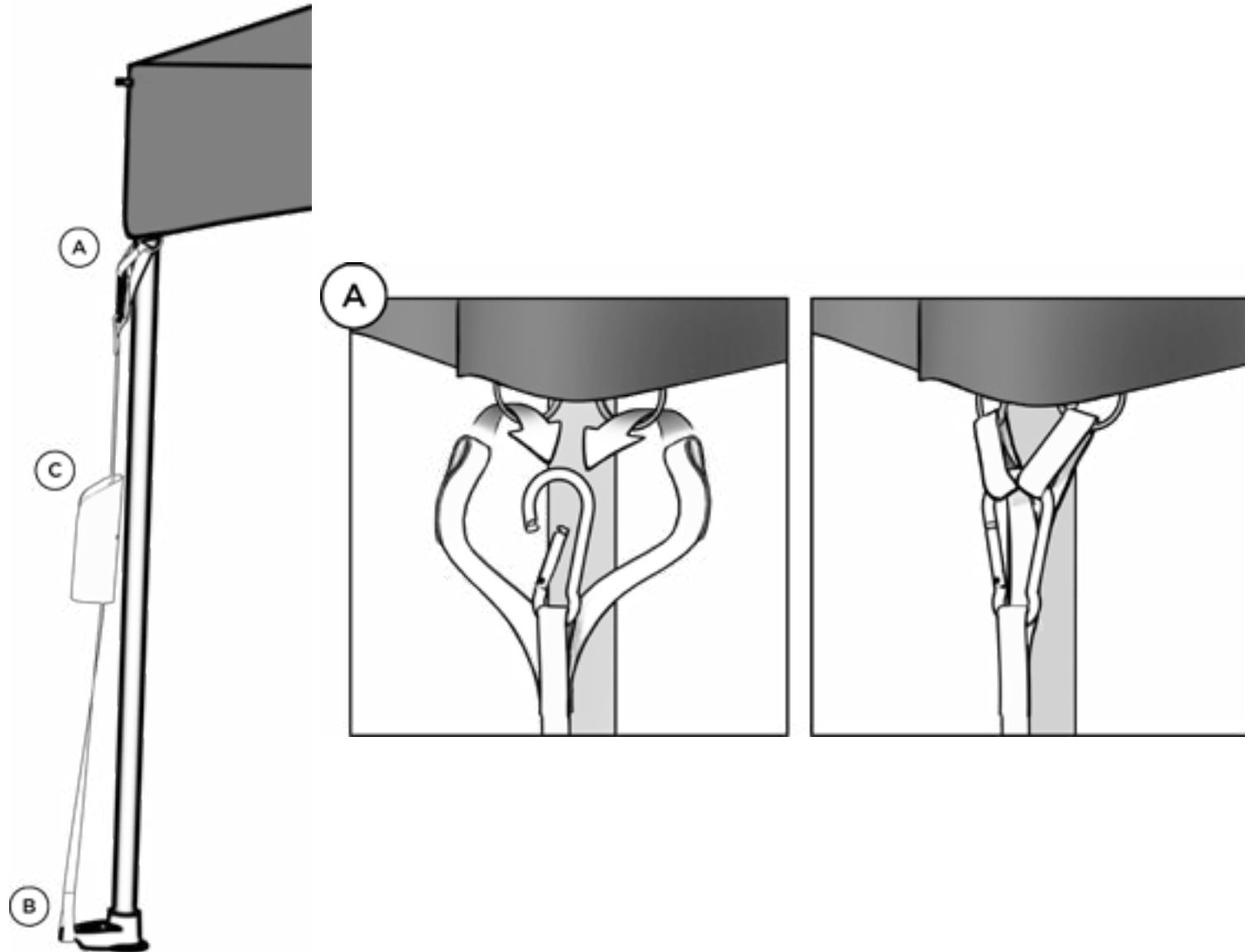
Attach the remaining two Feet onto the Leg Poles. Again, make sure that the cast hook on the Feet are pointing outward and in-line with the 3-Way Connector hook.



Step 9:

Part A: Attach the canopy to the frame using the Top Tie Down Strap. Bring the "Y" straps through the metal rings on each of the tent top valances, making sure that the strap is on the outside of the leg. Secure the looped end of the "Y" straps into the carabiner. Fold the valance flap over the "Y" straps where the strips of Velcro line-up to finish the corner. Repeat this step for the remaining legs.

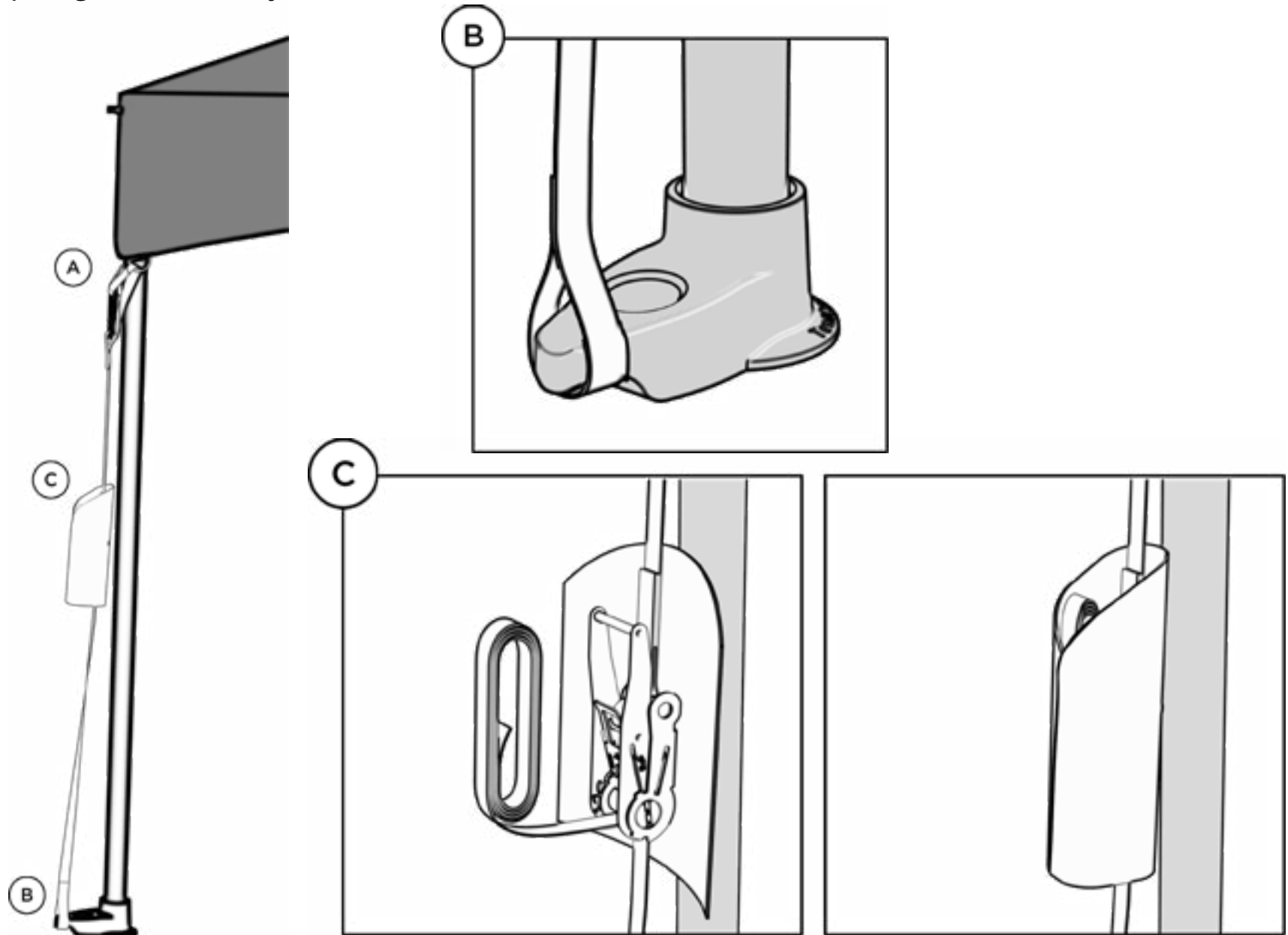
Warning! Do not hook the carabiner directly to the metal valance rings



Step 10:

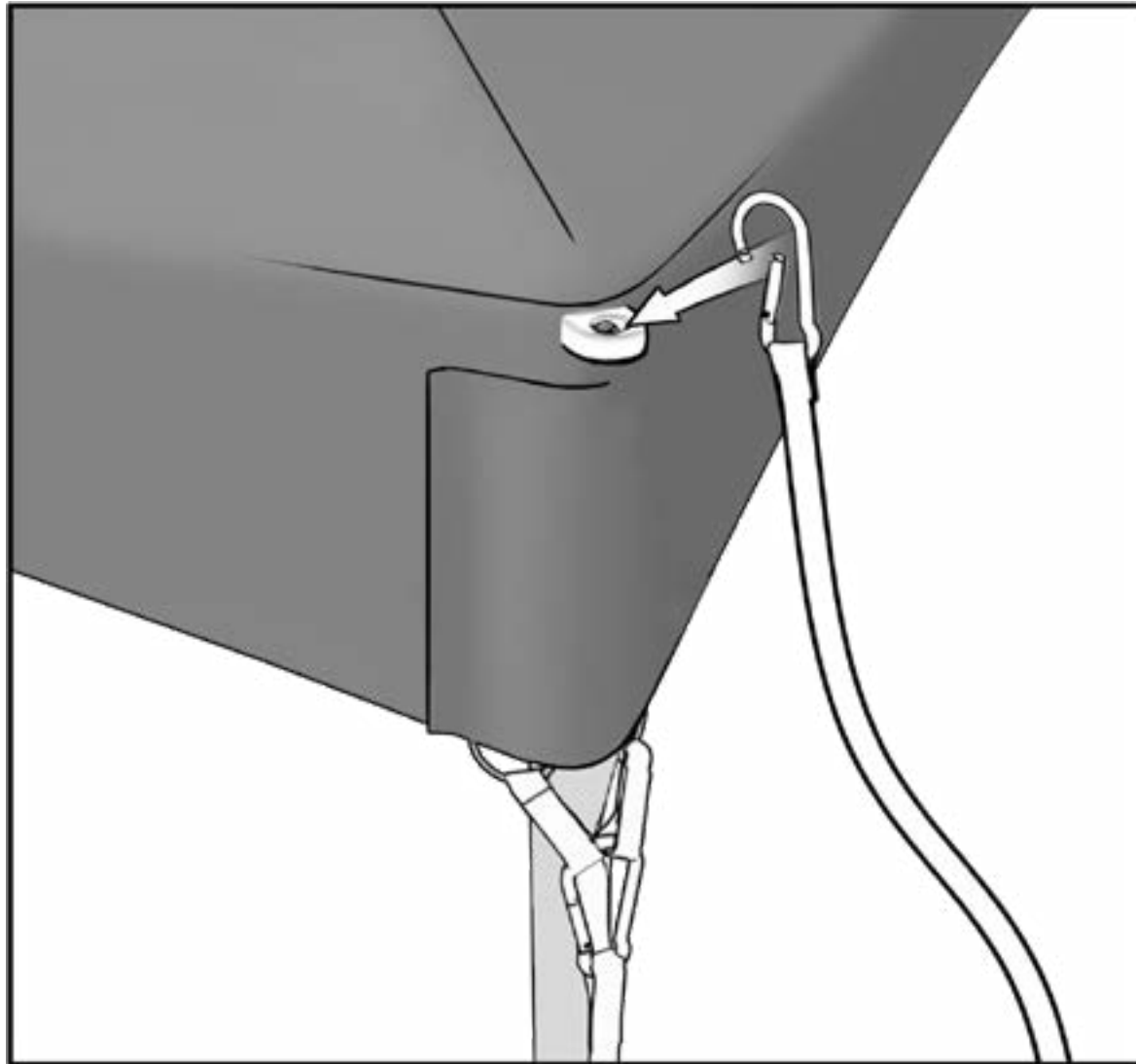
Part B: Attach the bottom looped end of the Top Tie Down Strap to the hook on each Foot.

Part C: Locate the ratchet in the middle of the strap and [tighten until the strap is taut enough](#) to secure the canopy. Repeat this step for the remaining legs. Once the top is secured on all corners, fold the extra strap length into the vinyl covers with the Velcro closure.



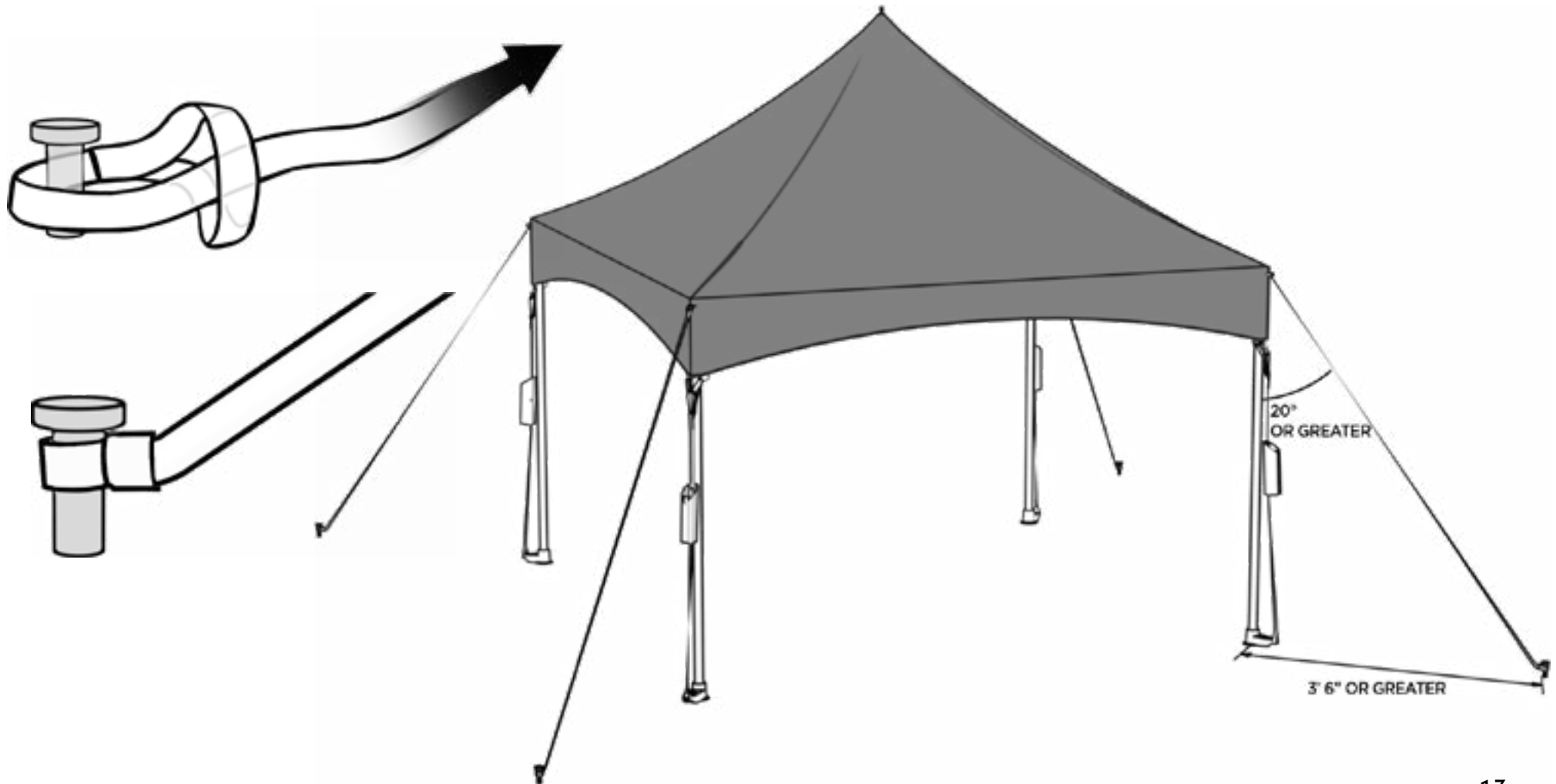
Step 11:

Locate the Outguy Straps and connect the carabiner at the top of the strap to the 3-Way Connector hook that is on the outside of each of the corner brackets.

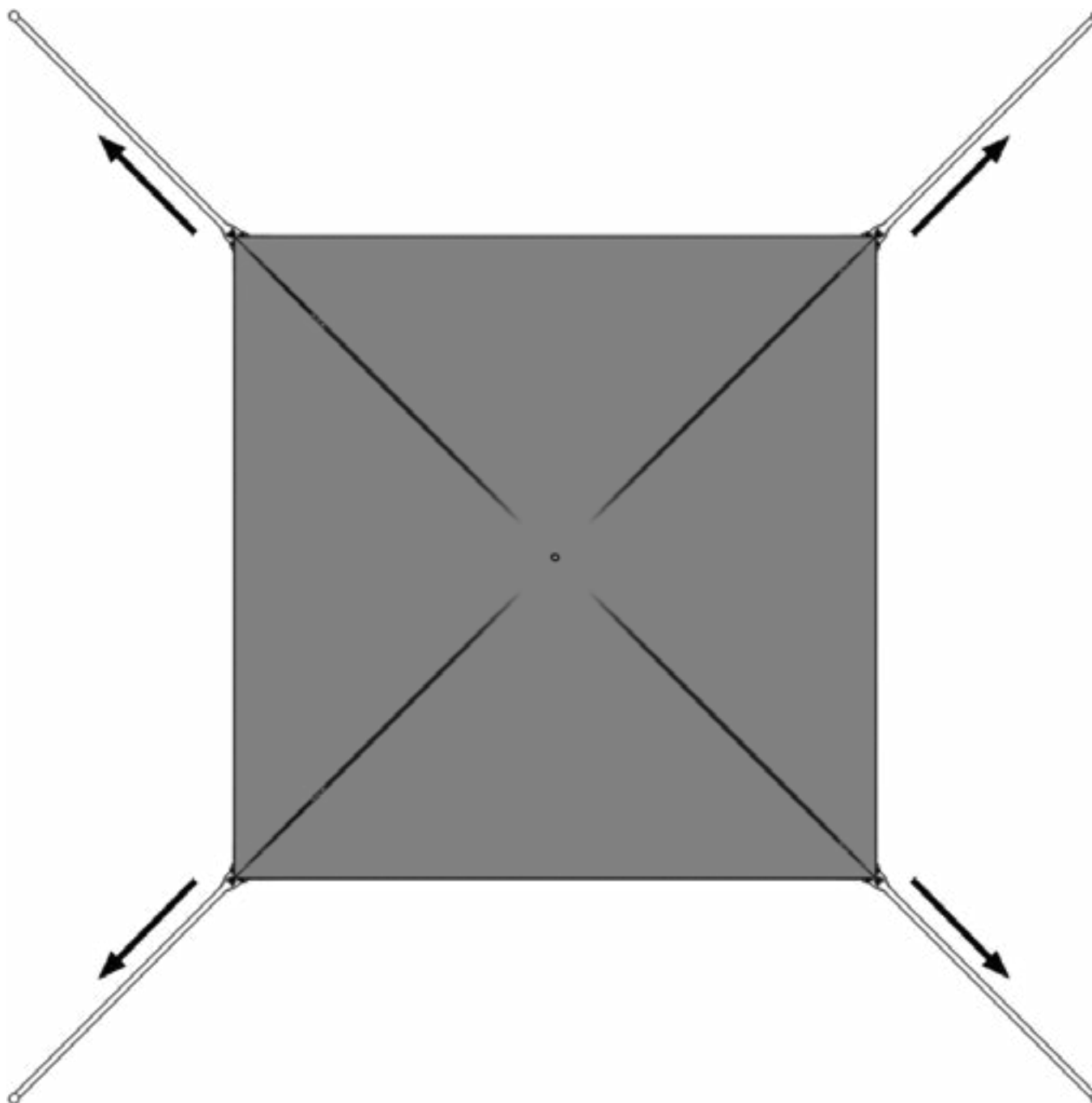


Step 12:

Locate the 36" Stakes and loop the strap (at the bottom end of the Outguy Straps) around the head of the stake, see diagram below. Drive the Stake into the ground at least 3.6' (or more) away from the hole in each Foot (directly in line with the hole) and [ratchet the strap until it is taut](#). Repeat this step for each of the remaining corner legs. *See Note on next page.



Note: Do not place the stake beyond the direct line of the hole. Meaning you do not want it to the right or left of the hole in the Foot, see diagram on next page.



Step 13: Once all stakes have been secured and straps have been ratcheted taut, fold all extra Outguy Strap length into the vinyl covers and secure with the Velcro closures.

