



EVENT DOME

SETUP INSTRUCTIONS

"MAKE IT BETTER"



2662 Cass Rd
Traverse City, MI 49684



1-800-950-4553



www.tentcraft.com
info@tentcraft.com

TABLE OF CONTENTS

About The Dome	2
Build The Peak Assembly	3
Build The Base Assembly	8
Orient The Base	14
Build The Middle Layer	17
Install Dome Cover	23
Final Dome Assembly	28
Attaching Cover	31



ABOUT THE DOME

Tool-Free Geodesic Dome

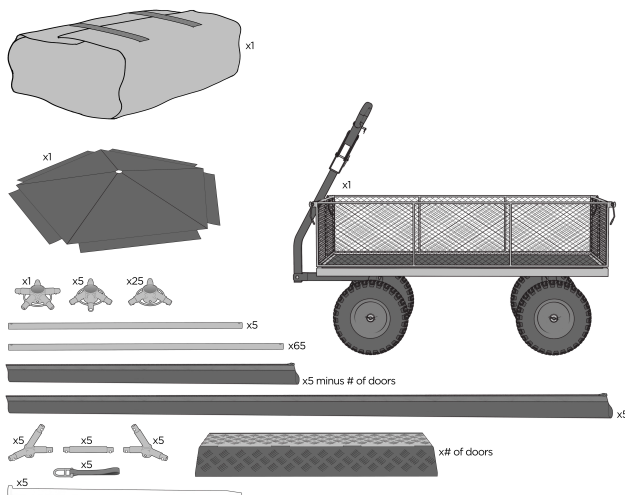
While geodesic dome tents have a number of advantages over other portable event structures, there are a few barriers or pain points preventing greater adoption within the experiential marketing and outdoor event space.

Here's how we attacked those pain points to introduce a simplified event dome with full customization:

The First Tool-Free Dome Design. To eliminate the manual and clunky bolt system, we designed a 3-way push button connector. Simply press the button on a connector and insert one of the aluminum poles. This design feature not only reduces the number of people required to install the dome but also reduces setup time by more than 2 hours.

Lightweight, Anodized Aluminum Framework. Steel is more common because it's cheaper—but it's also more dense—which is why steel domes weigh so much. Anodized aluminum is 1/3 the weight of steel, delivering a much higher strength-to-weight ratio. This allowed us to reduce the number of pole supports needed without sacrificing durability—reducing overall weight by more than 60%. Fewer poles also means reduced setup time, reduced costs, and increased portability.

PARTS LIST:



01

BUILD THE PEAK ASSEMBLY



BUILD THE PEAK ASSEMBLY

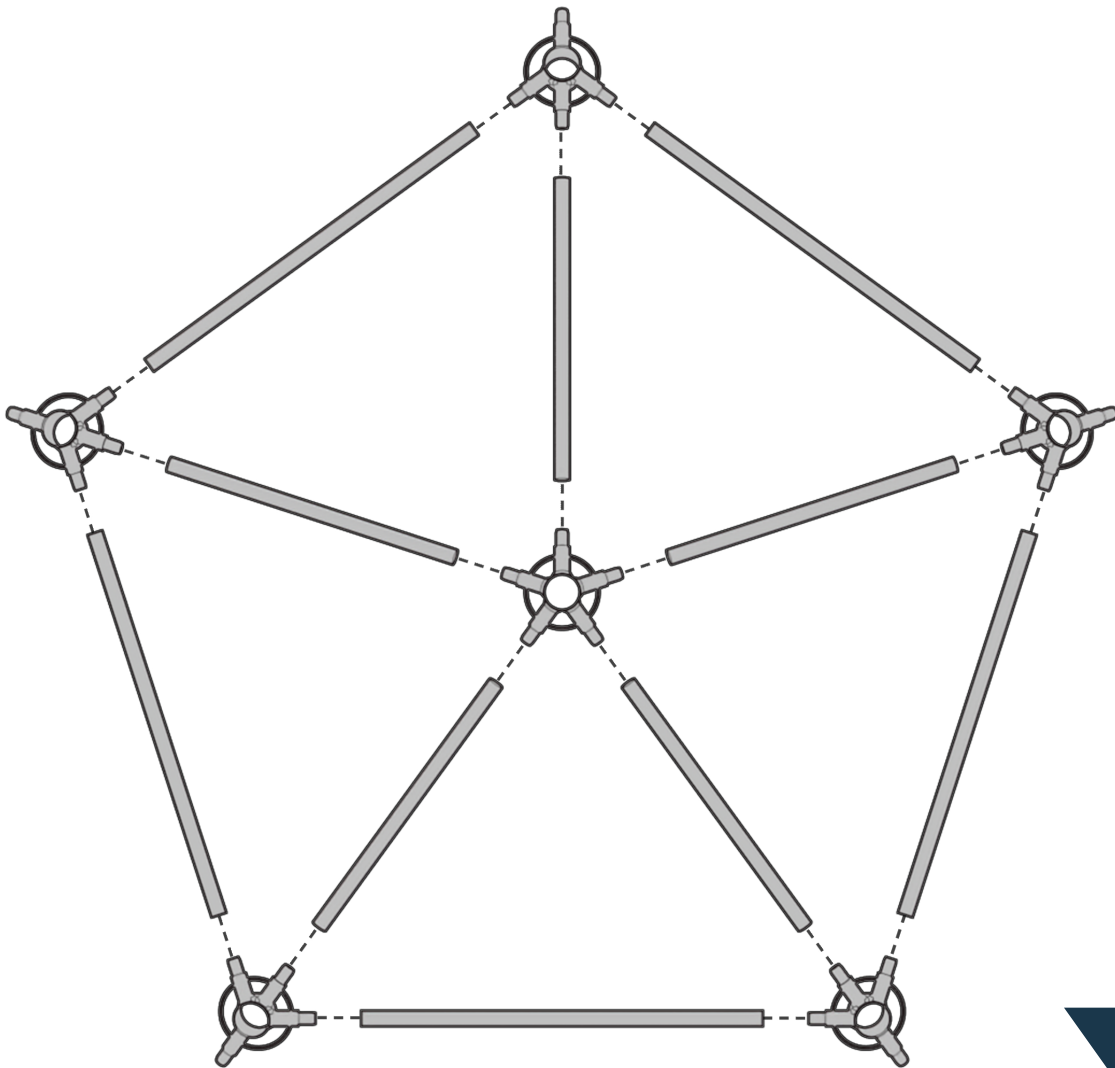
1. Open the transport case and locate the following components to start building the peak assembly:

- (1) 5-way connector
- (5) 37" poles (These are the shorter poles. There are only five of them included)
- (5) 4-way connectors
- (5) 43.5" poles



ATTACH THE 4-WAY CONNECTORS

2. Attach all five of the shorter 37" poles to the 5-way connector.
3. Attach the 4-way connectors to the 37" poles. Make sure you're attaching the poles to the middle prong on the side of the connector with three prongs.



ATTACH DOME PEAK COVER

4. Undo Velcro straps at each end of the dome peak cover

5. Align peak cover to center of peak. Pull each end taut and attach flaps to Velcro fasteners.

Note: It helps to make sure that each section is as taut as possible in order to eliminate bunching from the dome peak.



ATTACH POLES TO REMAINING PRONGS

6. Attach poles to the remaining prongs on the 4-way connectors



02

BUILD THE BASE ASSEMBLY



BUILDING THE BASE ASSEMBLY

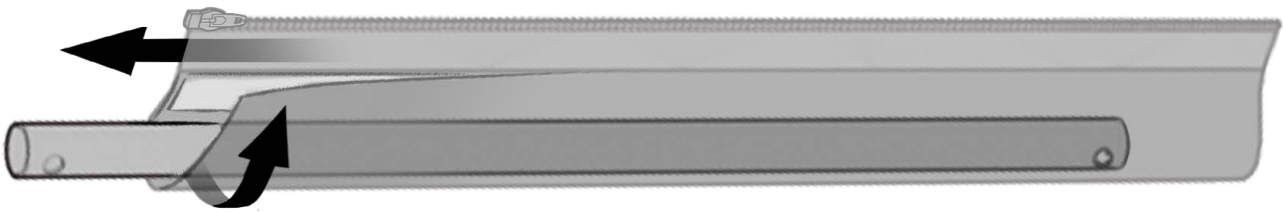
1. Organize the black vinyl pole sleeves into two piles—large and small.

Note: If your dome configuration has one door, then you should have four shorter pole sleeves and five longer pole sleeves. Doorways do not have pole sleeves at the bottom so if you have two doors in your configuration then you will have only three shorter pole sleeves, etc.



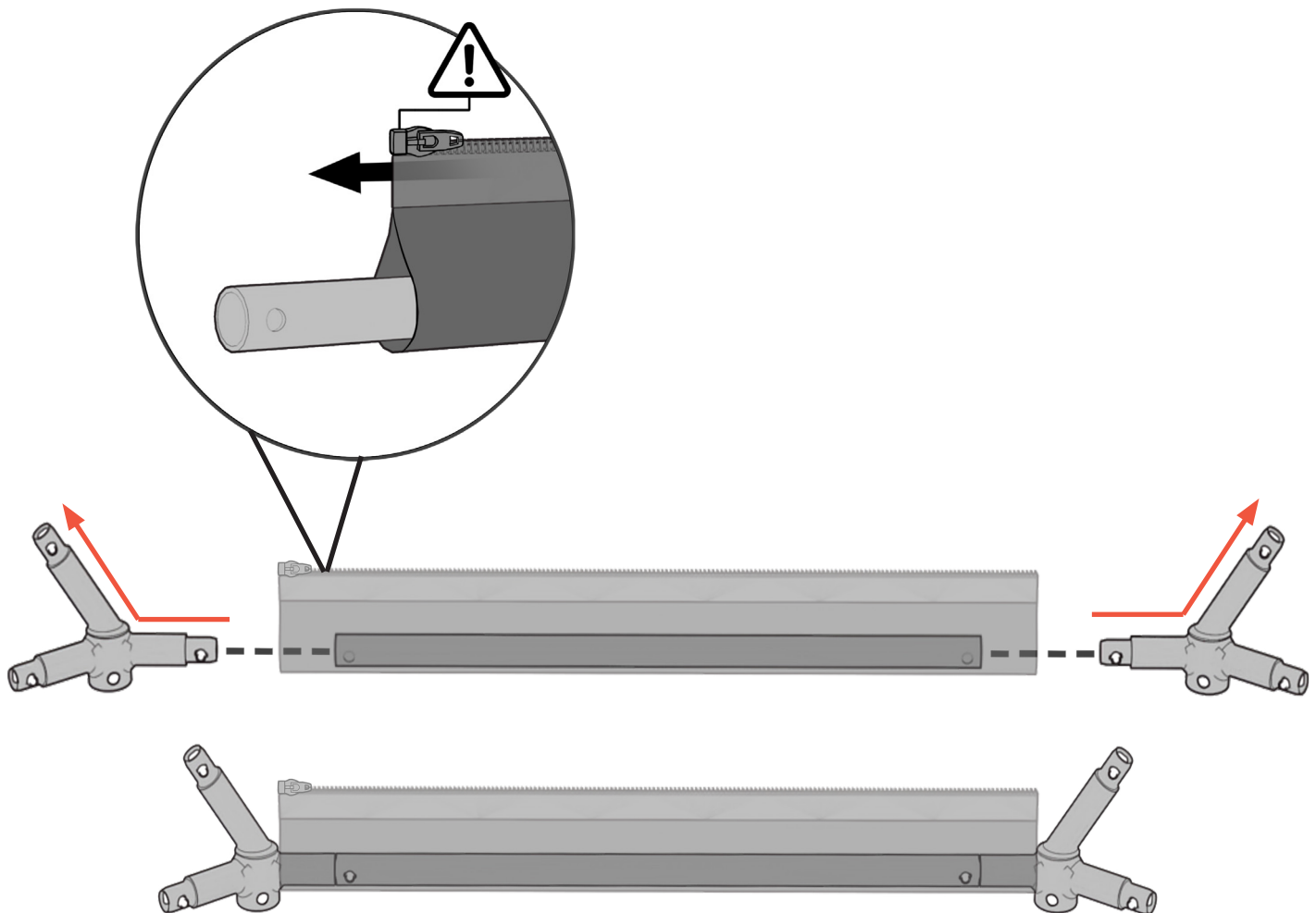
INSERT POLES INTO POLE SLEEVES

2. Wrap shorter poles with each of the smaller pole sleeves. Use the Velcro closure to hold the pole in place, creating a pocket. Leave an even amount of the pole on each side of the pocket.



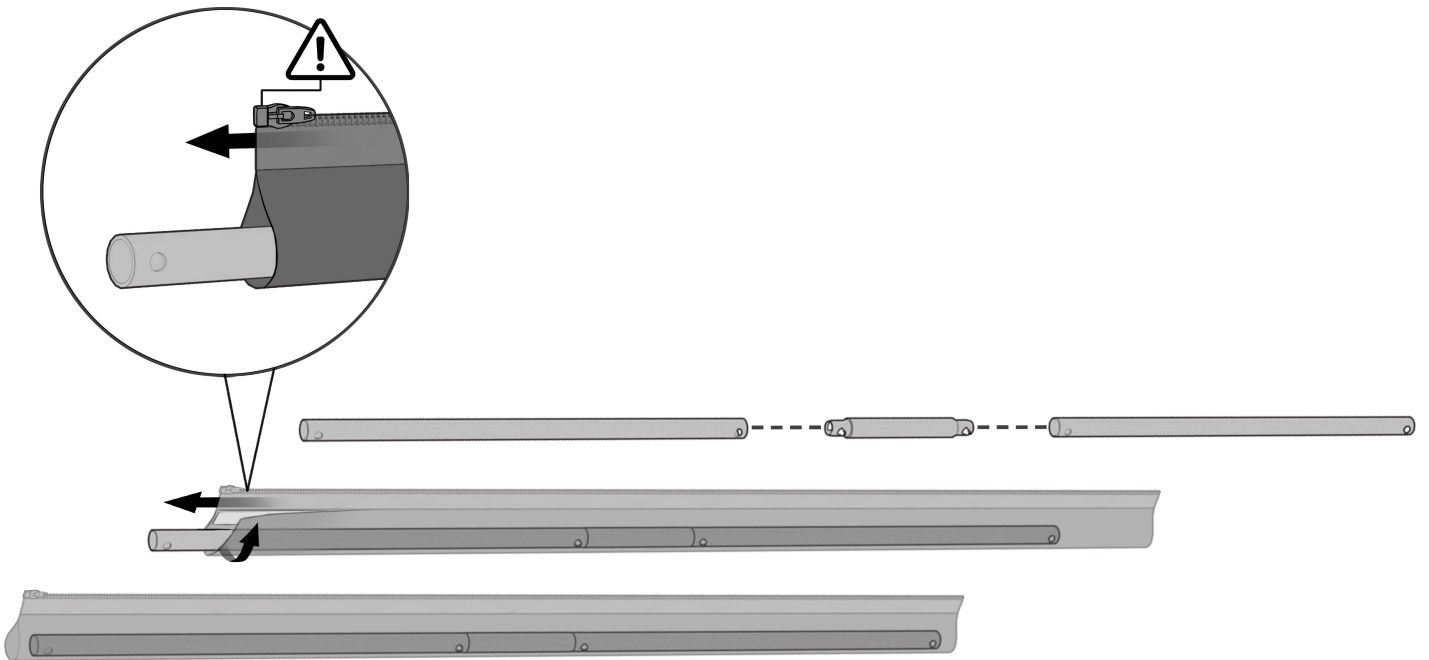
ATTACH BASE CONNECTORS

3. With the zipper facing up and the zipper on the left side facing you (see diagram), attach base connectors with the **angled edge pointing outwards** from the base pole (the silver buttons should face you).



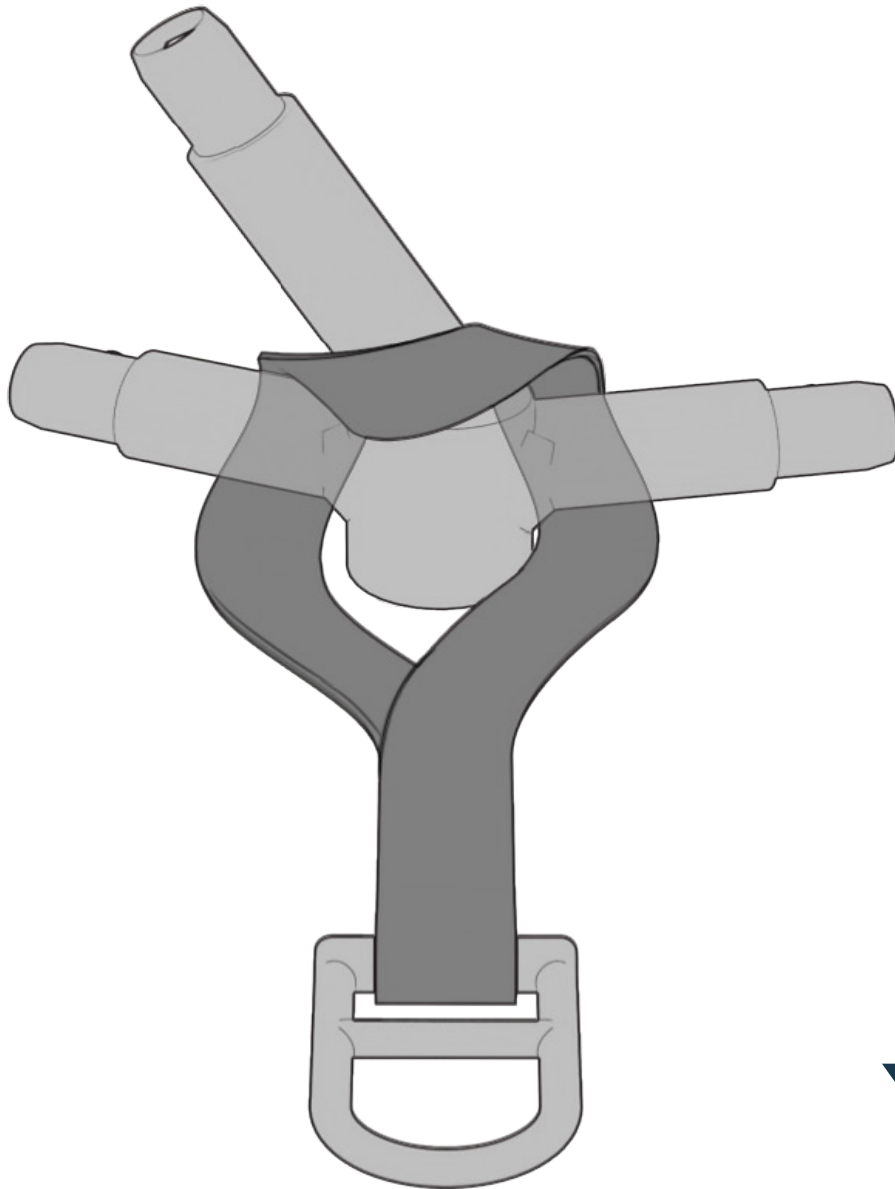
CREATE FIVE LONGER POLES

4. Using the sleeve connectors, create five longer poles and then insert them into the longer pole sleeves, using the Velcro to create a pocket for the pole. Make sure that the zipper is on the left side (see diagram).



INSERT D-RING STRAPS

5. Loop the five D-Ring straps around connector as show in diagram below. These should be placed on every other section. (For a visual of layout, see upcoming Step 3.2-Connect Larger Poles on pg. 16)



03

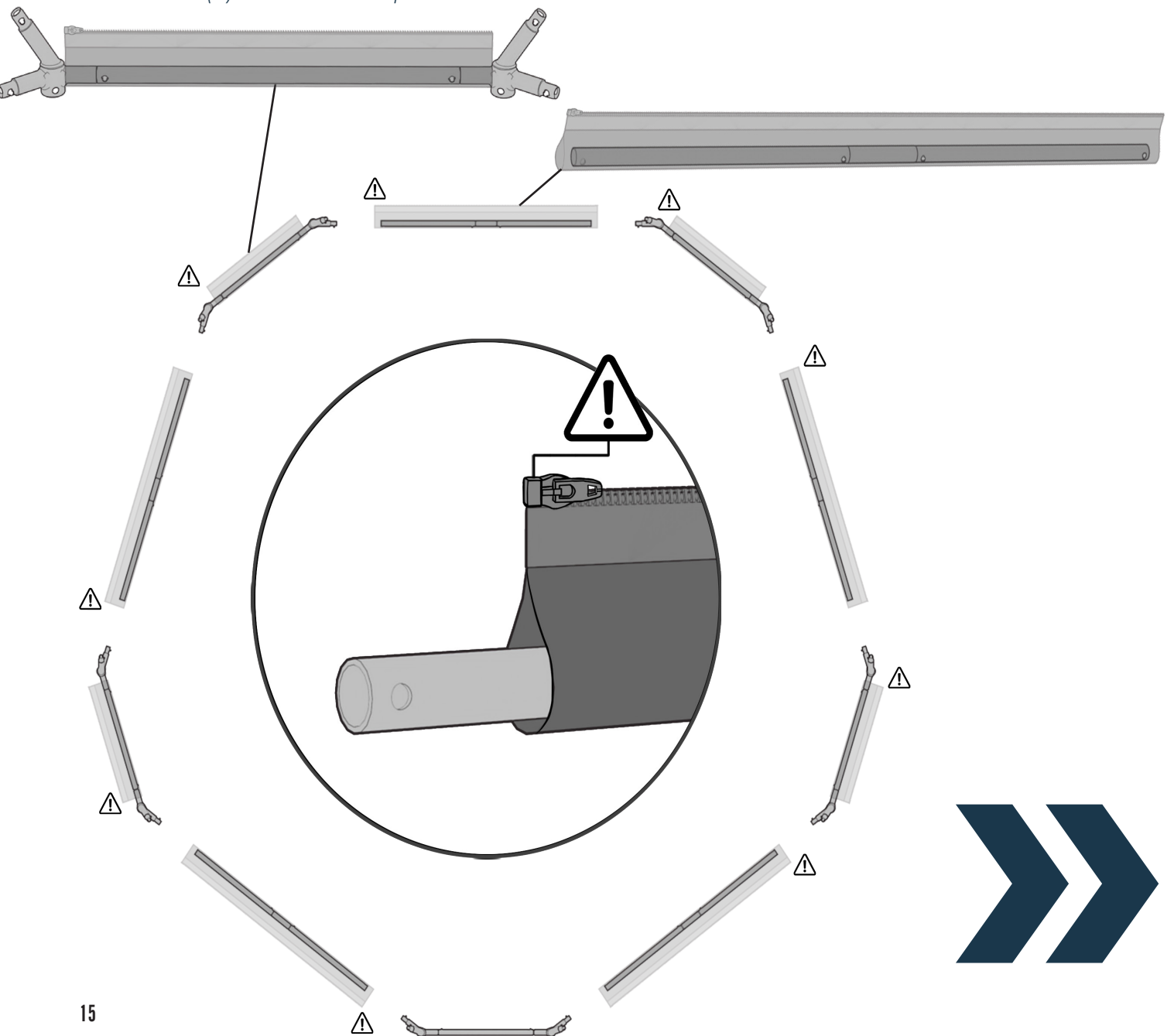
ORIENT THE BASE



ORIENT THE BASE

1. Arrange the base parts according to the below diagram. Again, making sure that the **zipper is on the left side** with the **silver buttons facing the inside** of the dome.

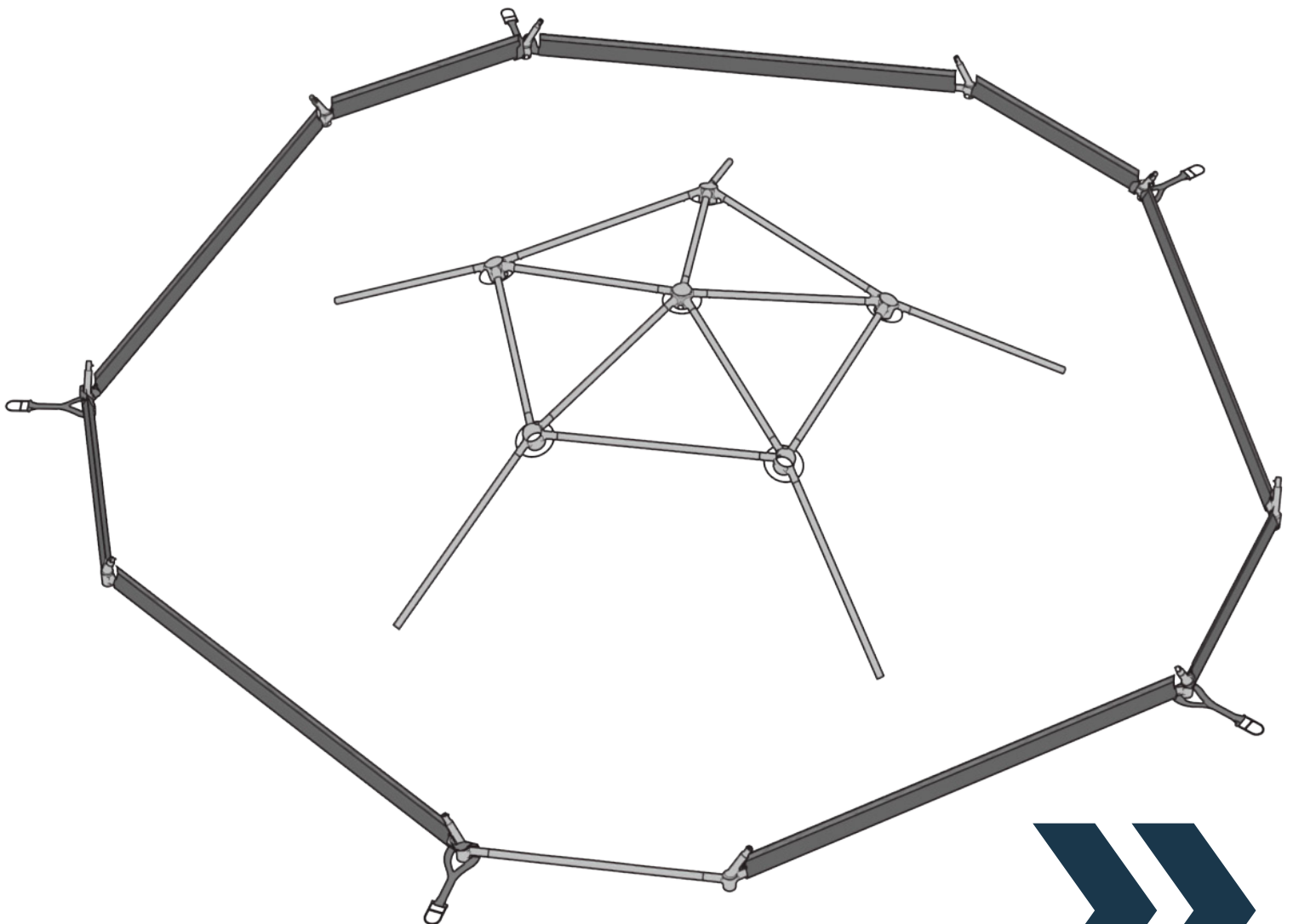
Note: Door(s) do not have pole sleeves.



CONNECT LARGER POLES

2. Connect the larger poles to the smaller poles making sure the zipper is on the left side with the silver buttons facing inward (towards the inside of the dome). The dome peak can be laid in the center of the dome base with the large poles resting on the ground.

Note: The dome cover zips clockwise to attach to the base.



04

BUILD THE MIDDLE LAYER

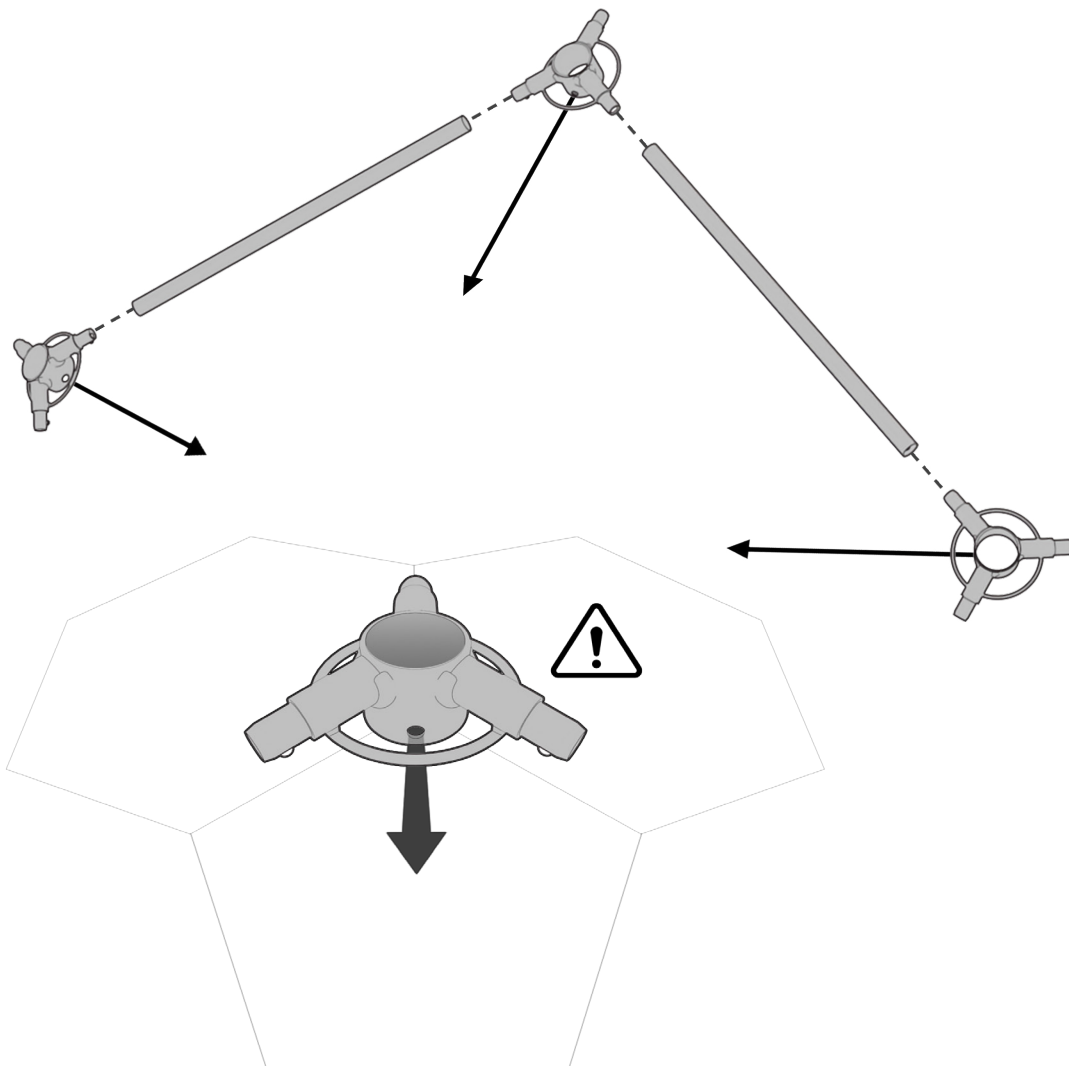


CONNECT 3-WAY

1. Connect the 3-way connectors to two poles, then attach a 3-way connector to each end of the open poles. You should build **five** of these in a wide V-form, see diagram.

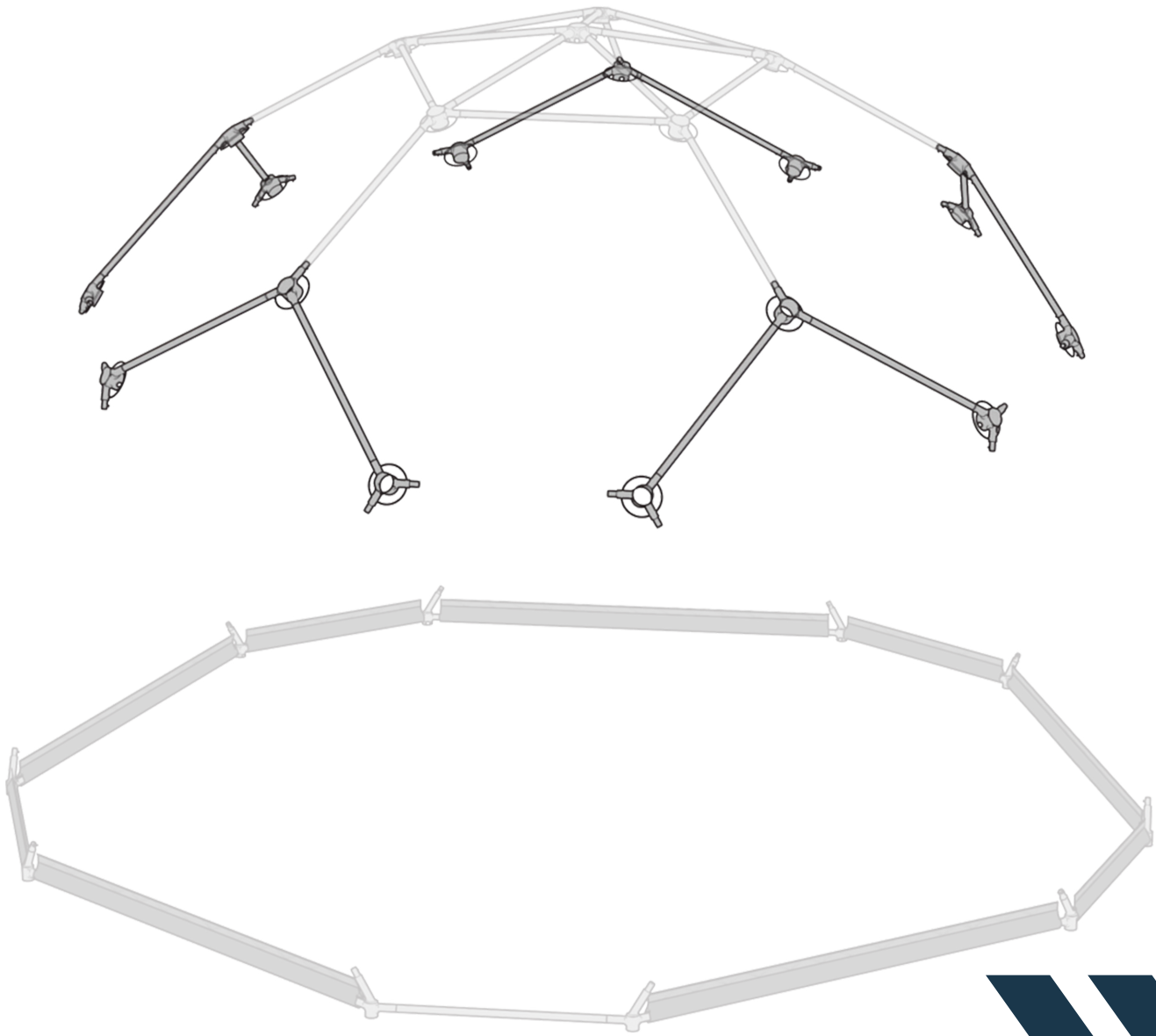


Make sure when you are connecting the 3-way connectors that the small drilled out hole faces the center (see diagram).



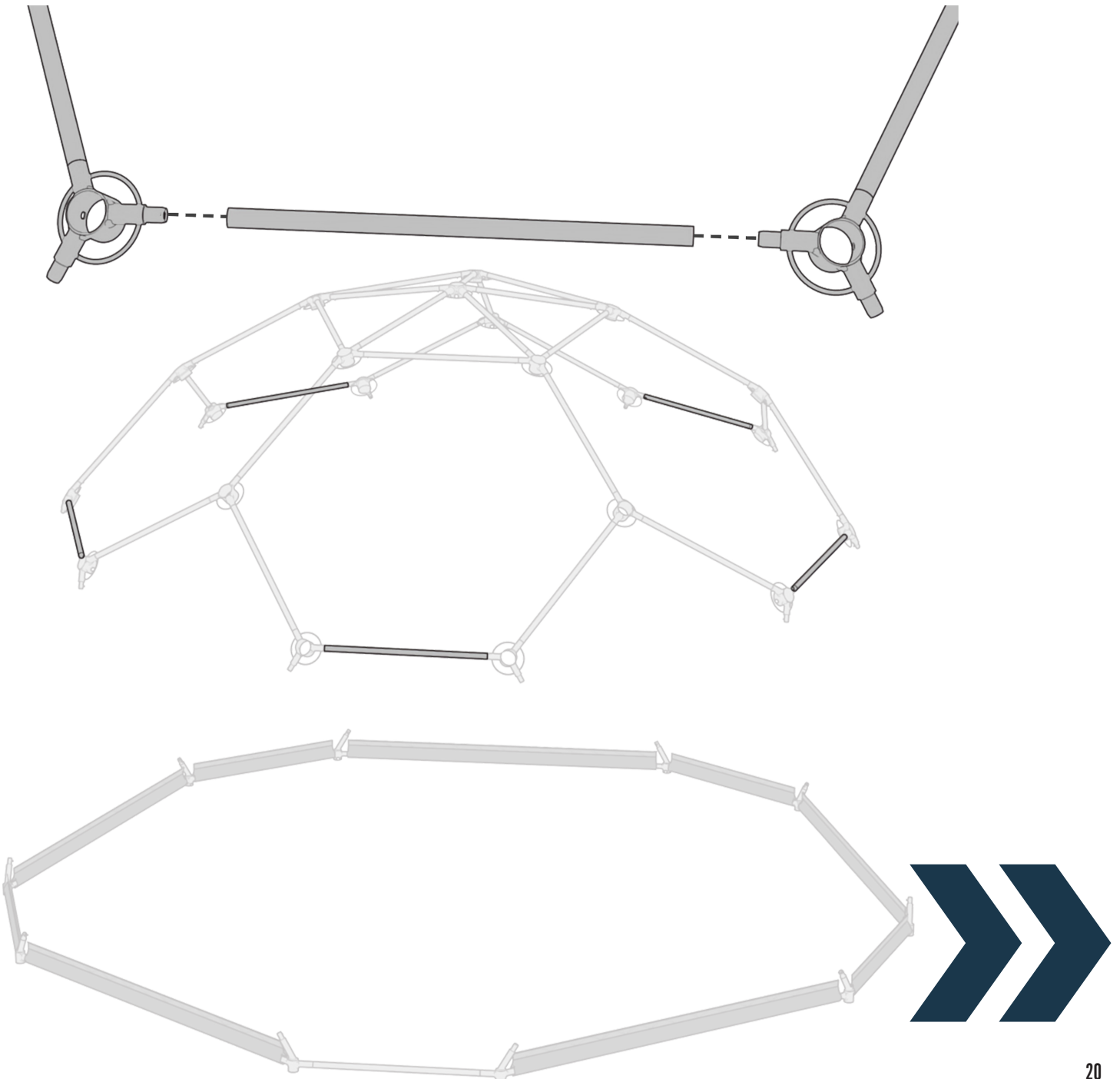
CONNECT V POLES

2. Connect **five** V-form poles to the peak assembly.



CONNECT HORIZONTAL POLES

3. Connect poles horizontally to the 3-way connectors to complete the hexagon shape.

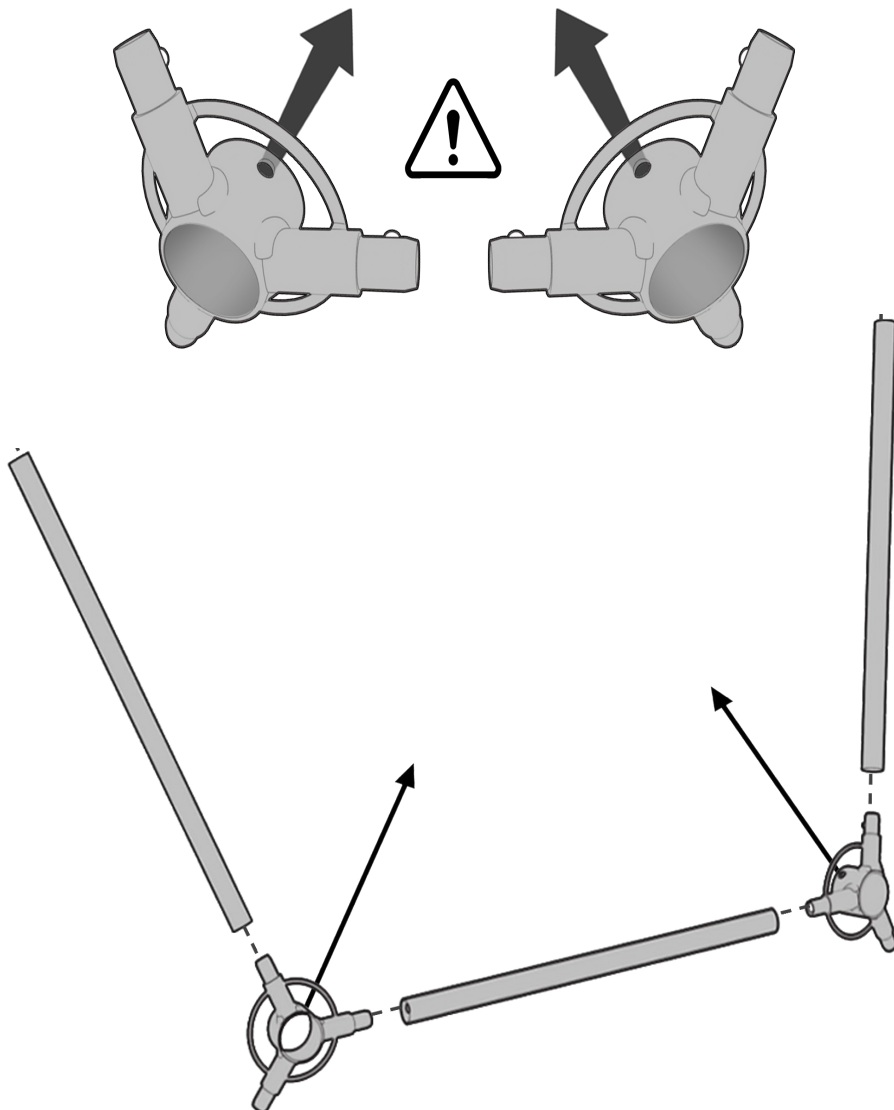


CREATE U-SHAPE

4. Using two 3-way connectors and three poles, form a U-shape as seen in the diagram below.

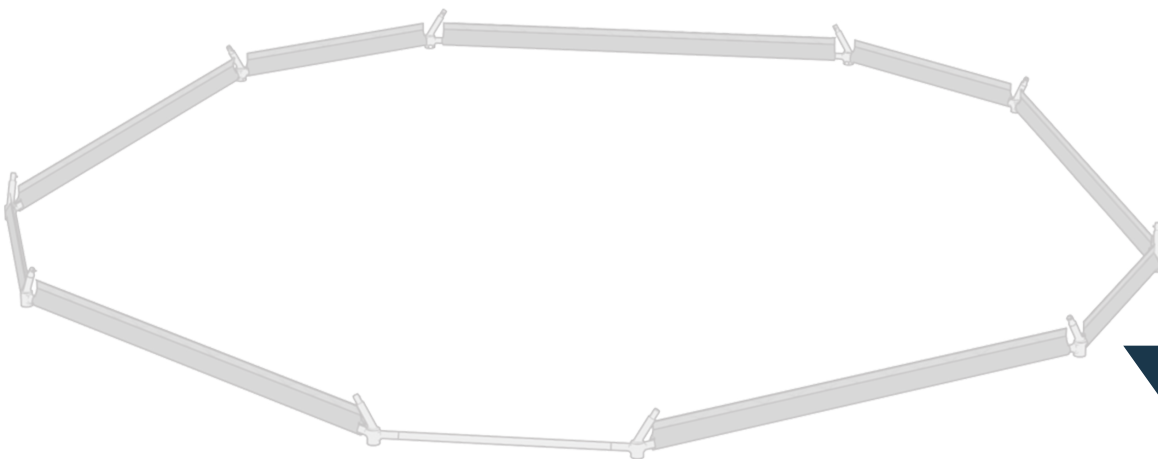
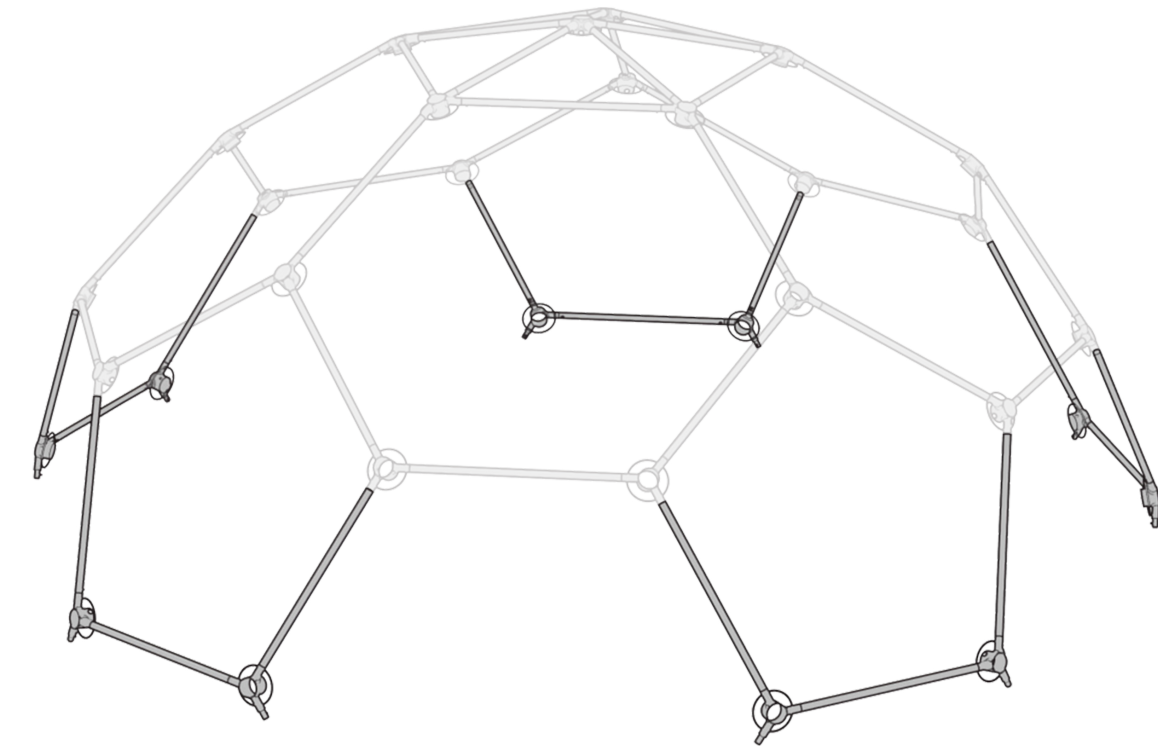


STOP!: Again, make sure that the small drilled out holes of the 3-way connectors point toward the middle.



CONNECT U SHAPE

5. Connect the U-shape to the middle section of the dome.



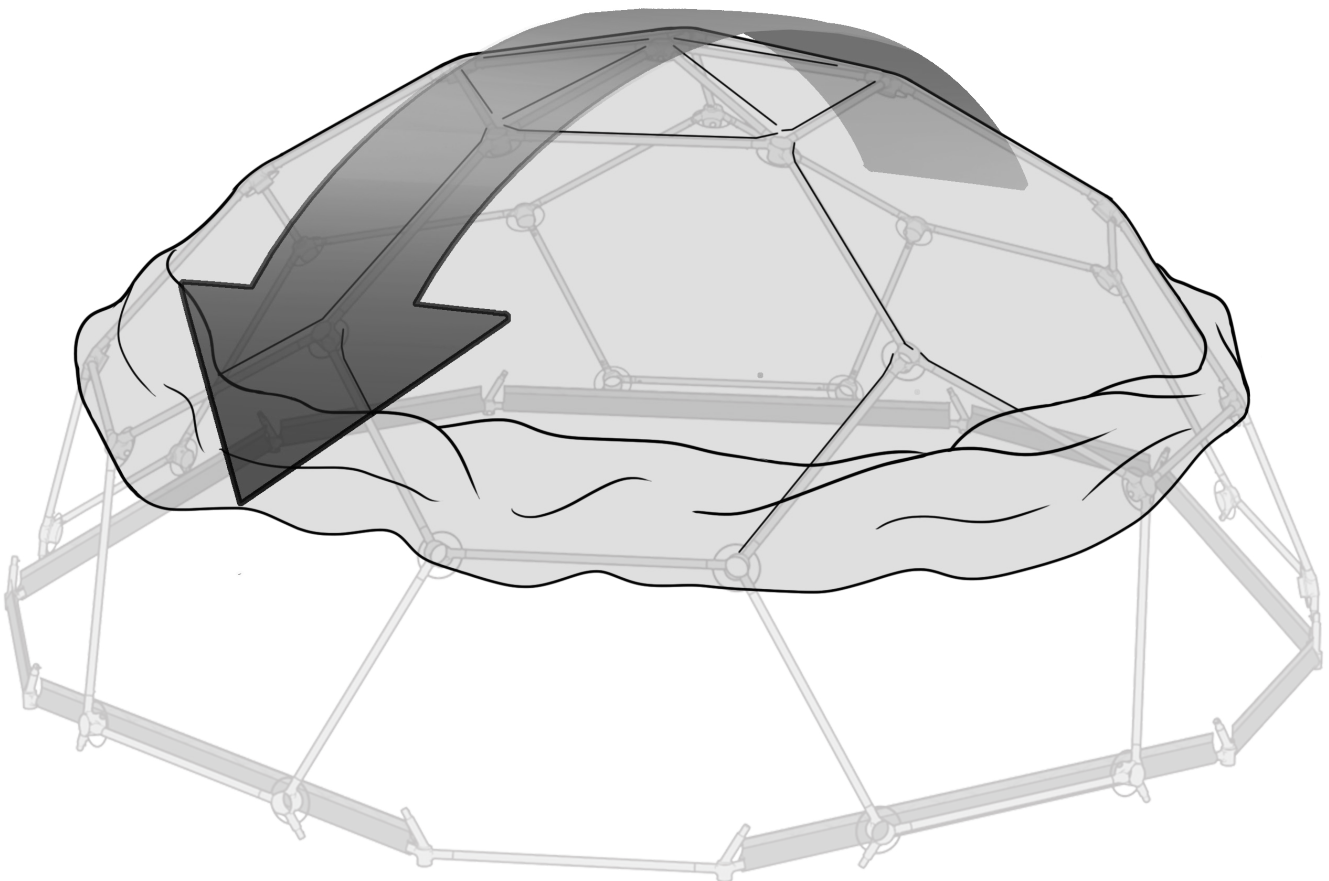
05

INSTALL DOME COVER



UNFOLD COVER

1. Partially unfold the cover to locate the center. Drape the cover over the frame, aligning the center of the cover on the center of the peak assembly.



ALIGN COVER TO DOOR(S)

2. Further unfold the cover to locate the door(s). Rotate the cover around the frame until you align the door(s) to its proper place.

Note: Remember that the door location can be identified by the shorter base poles that don't have a pole sleeve.



UNZIP DOOR(S) & WINDOWS

3. Unzip the door(s) and partially unzip the window(s). This helps create a little extra slack in the cover to make it easier to attach to the base assembly. Avoid letting the cover drag on the ground to keep the cover clean and in good shape. It might also be helpful to have a step stool or ladder to help reach some of the zippers.

Note: If you do not have windows, proceed to Part 6.



ZIP WINDOW POLE POCKETS

4. Zip the pole sleeves around the sides of the window frames. There is no pole sleeve at the base of the window which allows it to roll-up and be held in place.

Note: It helps to have one person pull the slack while the other zips



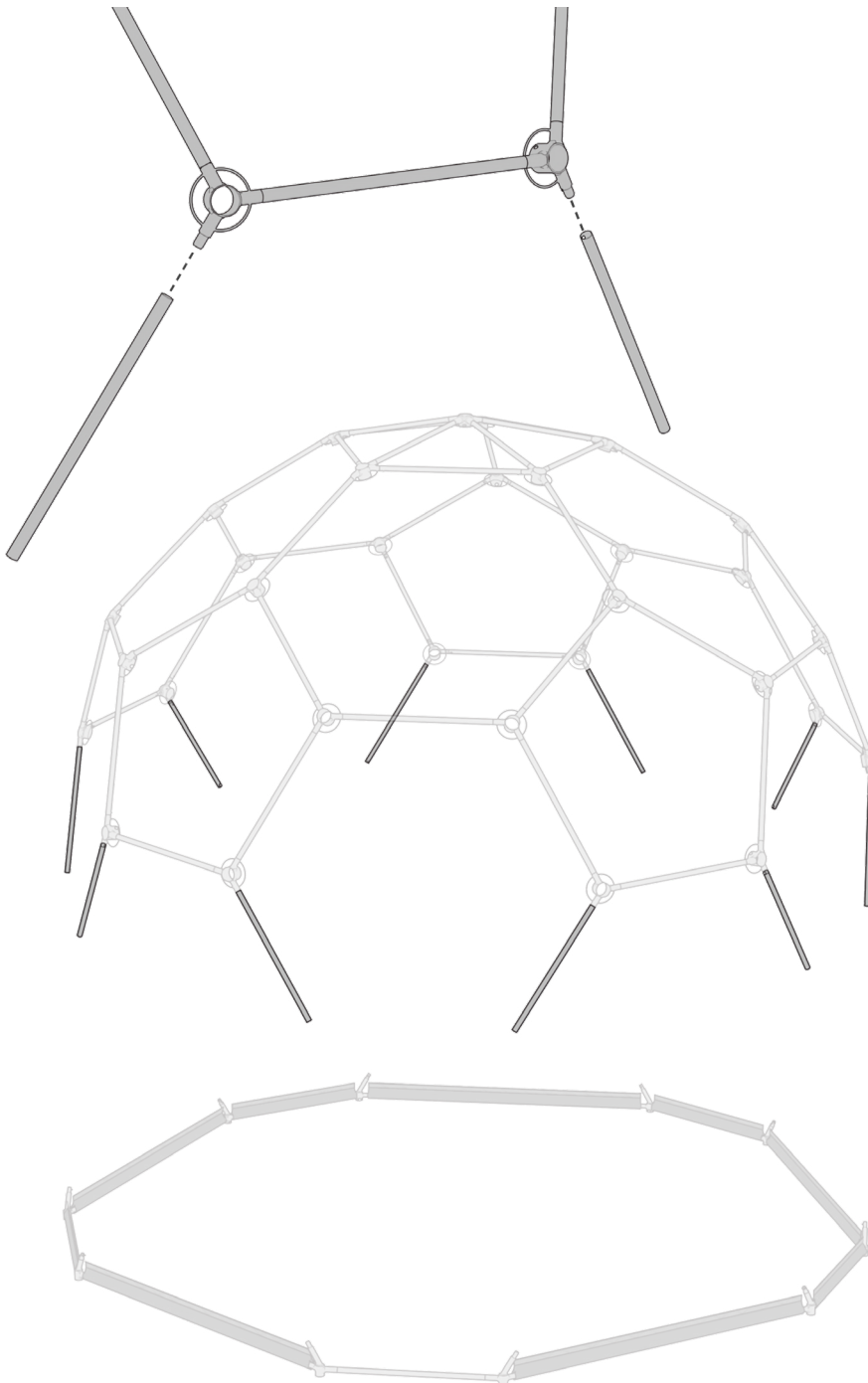
06

FINISH ASSEMBLING THE DOME



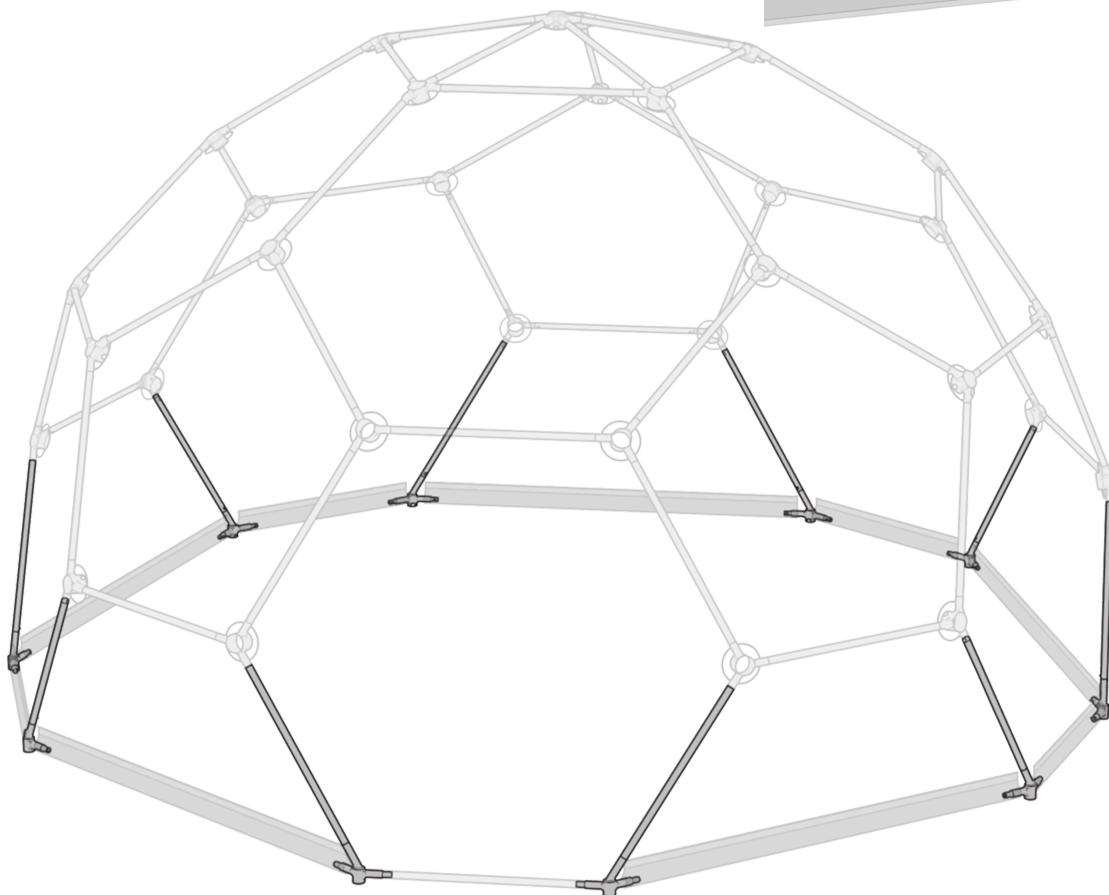
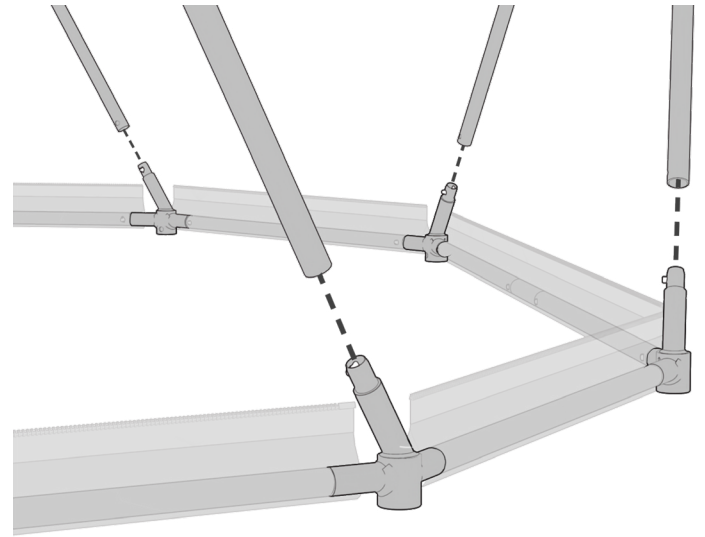
CONNECT THE DOME TO THE BASE FRAME

1. Attach remaining poles to the open prongs of the three-way connectors.



CONNECT DOME

2. Have one person lift the frame while the other person connects the dome to the base connectors. It helps to work together on this step to provide additional leverage while connecting.



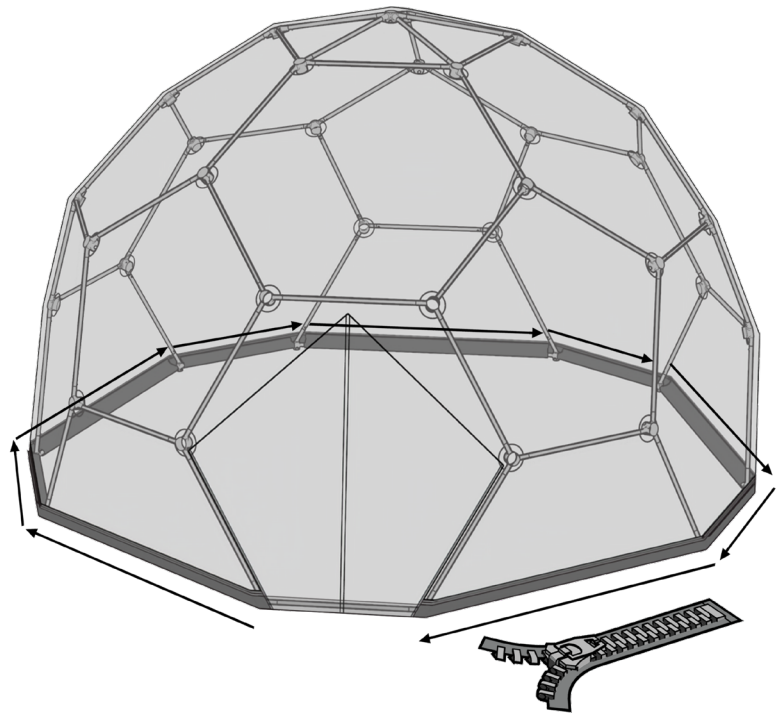
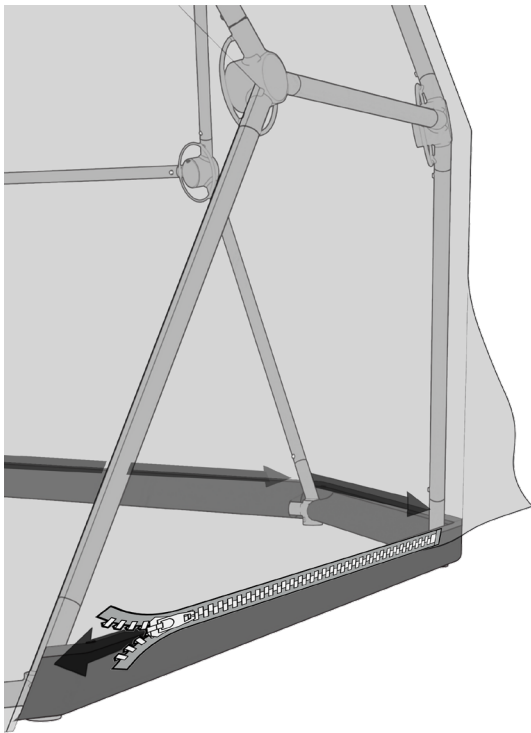
07

ATTACHING COVER TO POLE POCKETS



ATTACH DOME COVER

1. Team-up to attach the dome cover zipper to the base pole sleeves. Each zipper will zip clockwise. It is easiest if one person zips from the inside and one person zips from the outside.



STAKE THE DOME

2. Drive 3ft long stakes through the D-rings at all five anchor points



HIGH-FIVES!

3. Awesome job! Now that you have completed the dome, make sure to give high-fives to your team!

