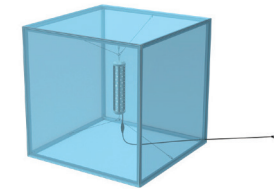
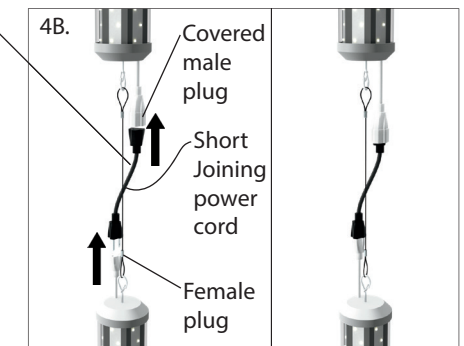
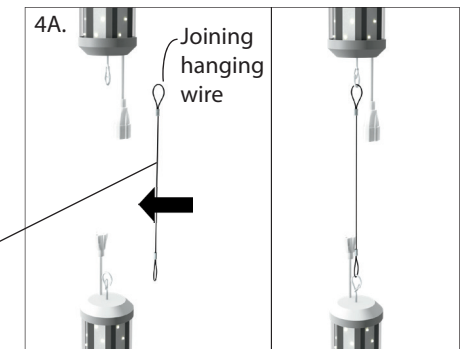
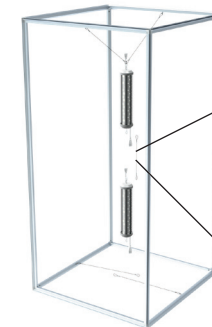
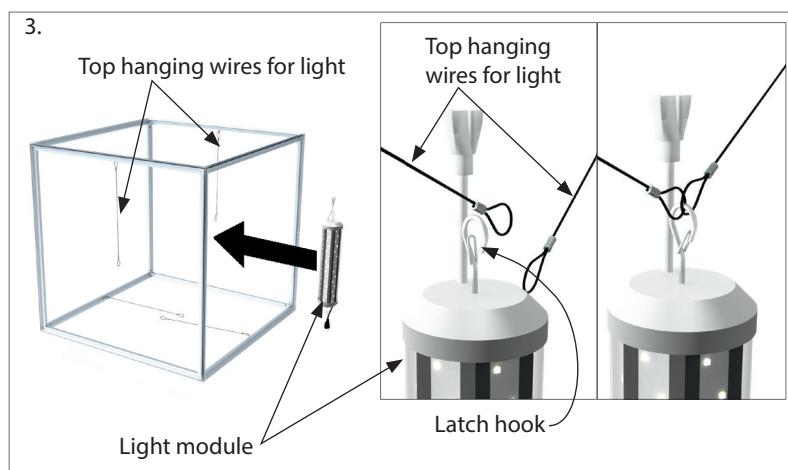
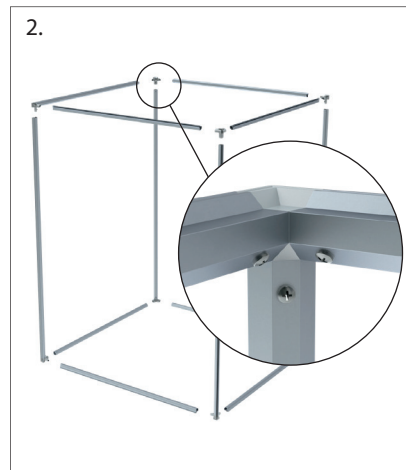
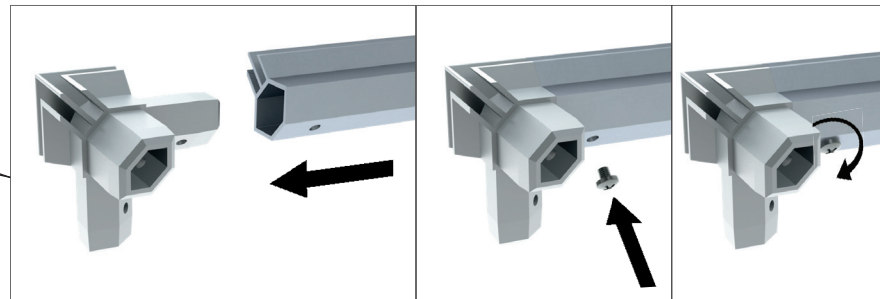
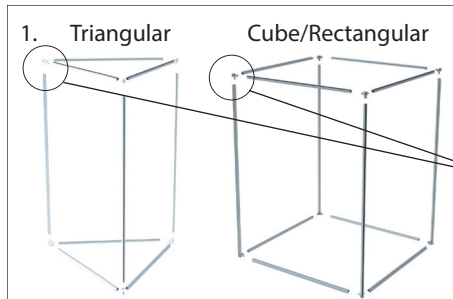


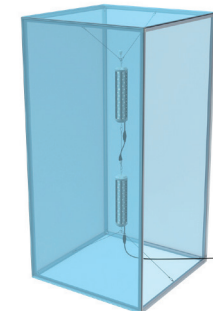
Frame Assembly

Triangular towers have fewer parts than rectangular or cube units, but assembly steps are the same.

1. Connect each frame side to the plastic corner, then fasten using the screws provided. If corners are labeled, connect like numbers, 1 to 1, 2 to 2, etc.
2. Repeat step 1 for each frame side.
- 3. If using single Light module:** The light is designed to be hung vertically (hanging horizontally can decrease the unit's lifespan) from the wires at the top and wires on the bottom. Each end of the light module has a hook with a spring loaded latch. Depress the spring loaded latch at the top of the light module and hang the top wires to the top hook.
- 4. For connecting additional Light modules on larger models:** A wire is included to hang one light from the next. Depress the spring loaded latch of the bottom hook on the 1st light, and connect the provided wire to the bottom hook of the 1st light. Depress the spring loaded latch on the top hook of the 2nd light, and connect the free end of the wire to the top hook of the 2nd light. Connect the short power cord to the bottom covered male plug of the 1st light and top female plug of the 2nd light.



Cube
XS3C-LED shown



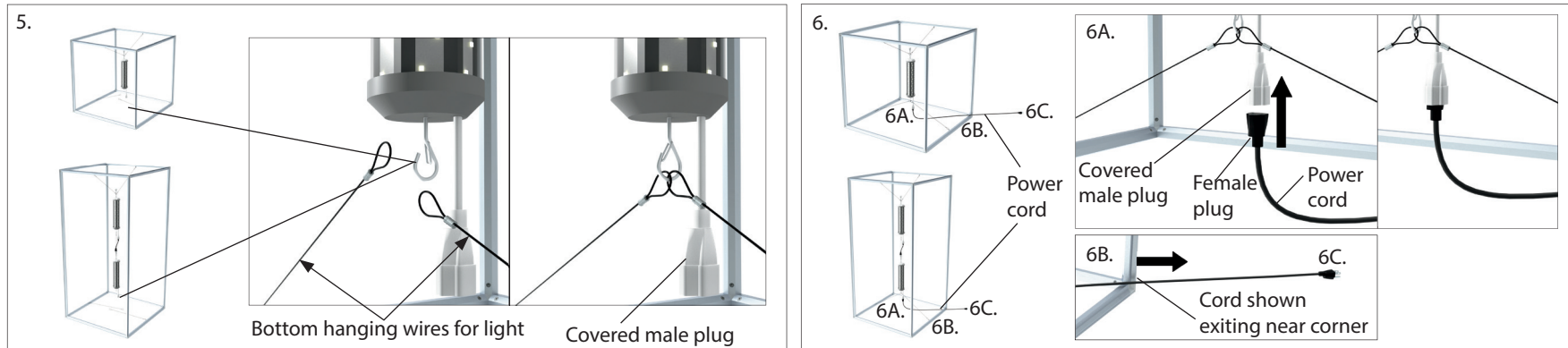
Rectangular Tower
XS3T-LED shown



Triangular Tower
XS3G-LED shown

Frame Assembly (continued)

5. Connect the bottom of the last light module (or single light module) to the bottom hanging points. All light modules should have a vertical orientation.
6. Plug the female end of the included long AC power cord into covered male end of the last light module. Identify where the power cable will exit the 3D box, and place cord through that point before installing graphics. Plug cable into power before installing graphics to ensure light is working, then unplug from power while installing graphics.



Graphic Installation

7. To install the graphic, take Corner A and press about 6"-10" of silicone into the frame channel. Repeat for the opposite Corner B. Repeat for Corner C. Lastly, repeat for the final corner.
8. After all corners are pressed in, press the silicone into the frame channel at the mid-points on all four sides. This prevents the graphic from bunching up or stretching too much and will ensure a smooth and tight fit.
9. Press silicone into frame evenly between the corners and midpoints.
10. To remove the graphic from the frame, simply pull up on the corner.
11. Repeat graphic installation for remaining sides (not shown).
12. Note – One side or corner of the graphic may need to be not be fully installed to allow power cable to exit the light box
13. Connect power cord to electrical supply.

